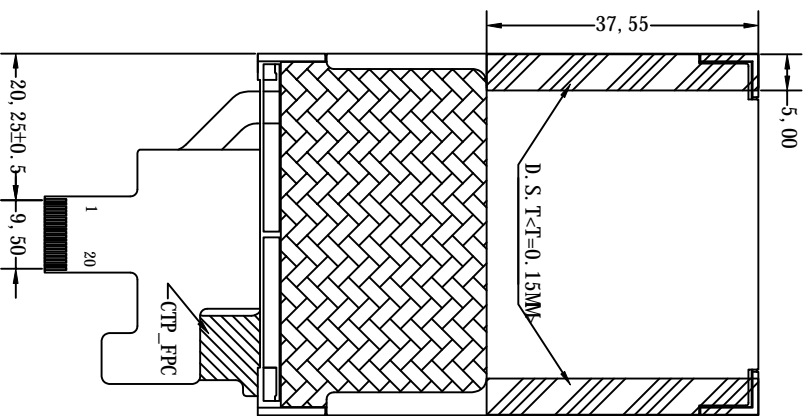
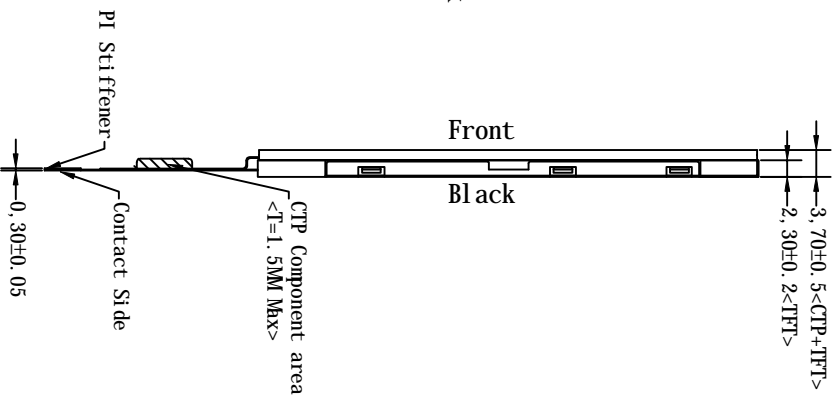
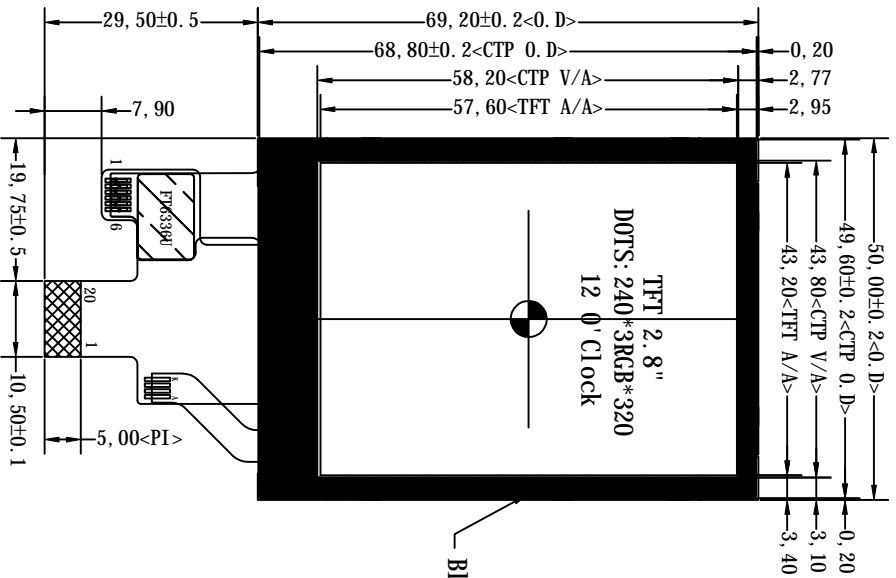


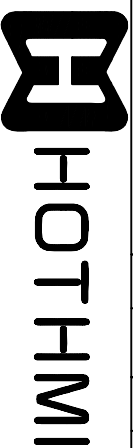
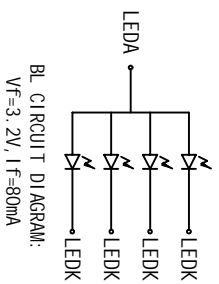
\*\*\* Do not display the fixed pattern for a long time when using a normally black panel, as it may cause image sticking due to the LCM structure. If the screen is displayed in fixed mode, use a screen saver. It is recommended to display the fixed mode in less than 2 minutes or less.



- \* CTP parameters**
1. Driver I/C: FT6336U
  2. Driving voltage: VCC=2.8V
  3. Application method: 2 points
  4. Surface hardness: 6H
  5. Operating Temp: -20° C~70° C (20%~90%RH)
  6. Storage Temp: -30° C~80° C (20%~90%RH)

PIN NO.	SIGNAL	PIN NO.	SIGNAL
1	LEDA		
2	LEBK		
3	GND		
4	VCI		
5	10VCC		
6	RESX		
7	GND		
8	DCKP		
9	DCKN		
10	GND		
11	DOP		
12	DDN		
13	GND		
14	TE		
15	CTP_VCC		
16	GND		
17	CTP_SCL		
18	CTP_SDA		
19	CTP_INT		
20	CTP_RST		

Item	Value	Item	Value
*1. LCD Display Type	TFT, Transmissive, Normally White	*6. Storage Temp	-30° C~80° C
*2. Viewing Direction	12 0° Clock (US0/D20/L45/R45)	*7. Driver IC	JD9852(TFT), FT6336U(CTP)
*3. Interface	MIP1 TL (Video Mode)	*8. Backlight	WHITE VF=3.2V I F=80mA (Typ)
*4. Operating Voltage	VCI=2.8V, 10VCC=1.8V, CTP_VCC=3.3 (Typ)	*9. LCM Brightness	300 cd/m <sup>2</sup> (Typ)
*5. Operating Temp	-20° C~70° C		



Part Title: TFT-H028A40VTS3C20

Scale	1:1	Unit	MM	Tol.	±0.3
Ver.	V0	Drawing	Li u. YL	Date	2019-12-05