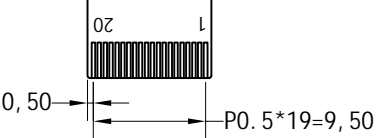
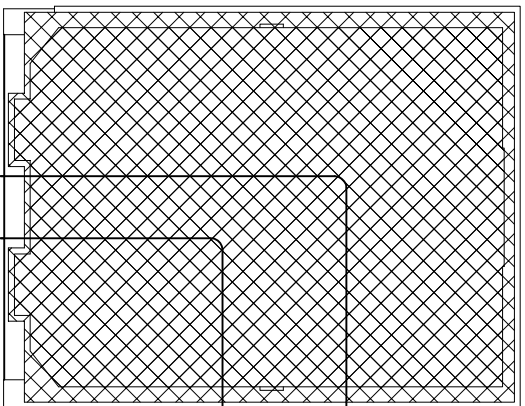
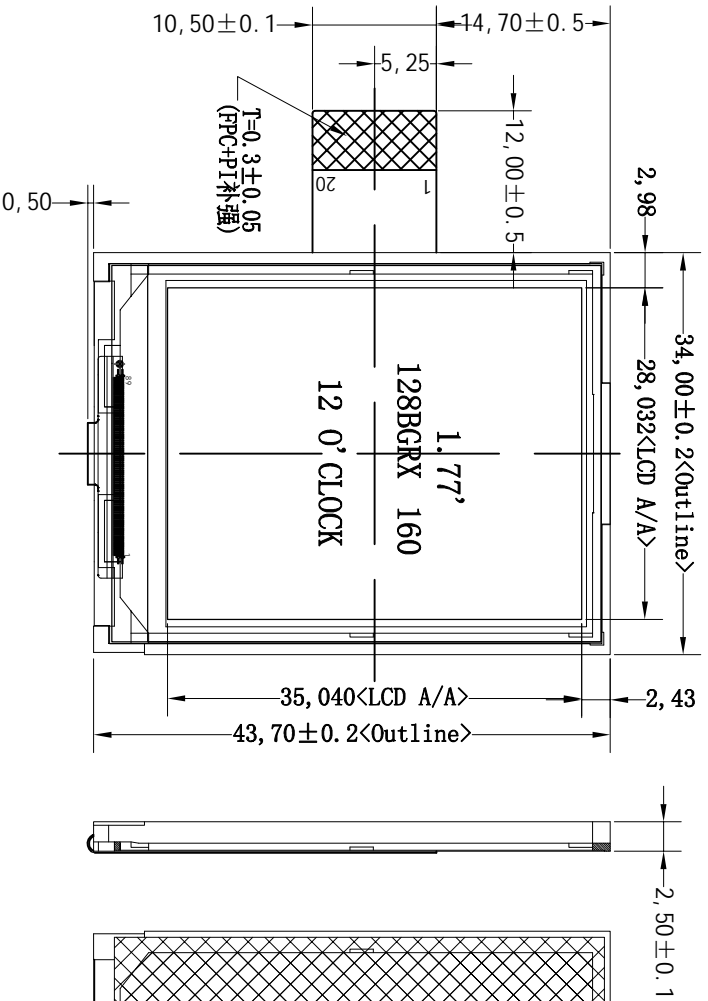
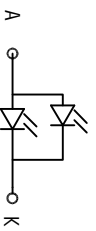


*** Do not display the fixed pattern for a long time because it may develop image sticking due to the LCM structure. If the screen is displayed with fixed pattern, use a screen saver. It is recommended to display the fixed mode for no more than 2 minutes or less.



PIN NO.	SIGNAL	PIN NO.	SIGNAL
1	LED_K		
2	LED_A		
3	GND		
4	VCI		
5	NC		
6	NC		
7	CS		
8	RESET		
9	RS		
10	WR		
11	RD		
12	DB0		
13	DB1		
14	DB2		
15	DB3		
16	DB4		
17	DB5		
18	DB6		
19	DB7		
20	GND		

*1. LCD Display Type	TFT, Transmissive, Normally White	*6. Storage Temp	-30° C-80° C
*2. Viewing Direction	12.0° Clock (U45/D20/R45/L45)	*7. Driver IC	ST7735S
*3. Interface	MCU 8 bit	*8. Backlight	WHITE VF=3.2V IF=40mA (Typ)
*4. Operating Voltage	VCI=3.3V (Typ)	*9. LCM Brightness	200 cd/m ² (Typ)
*5. Operating Temp	-20° C-70° C		



BL CIRCUIT DIAGRAM:
VF=3.2V, IF=40mA

Dwg Title: TFT-H017B1CFTST2N20			
Scale	Unit	Tol.	
1:1	MM	±0.3	
Ver: A/0	Drawn: Liu	Date: 2019-04-25	