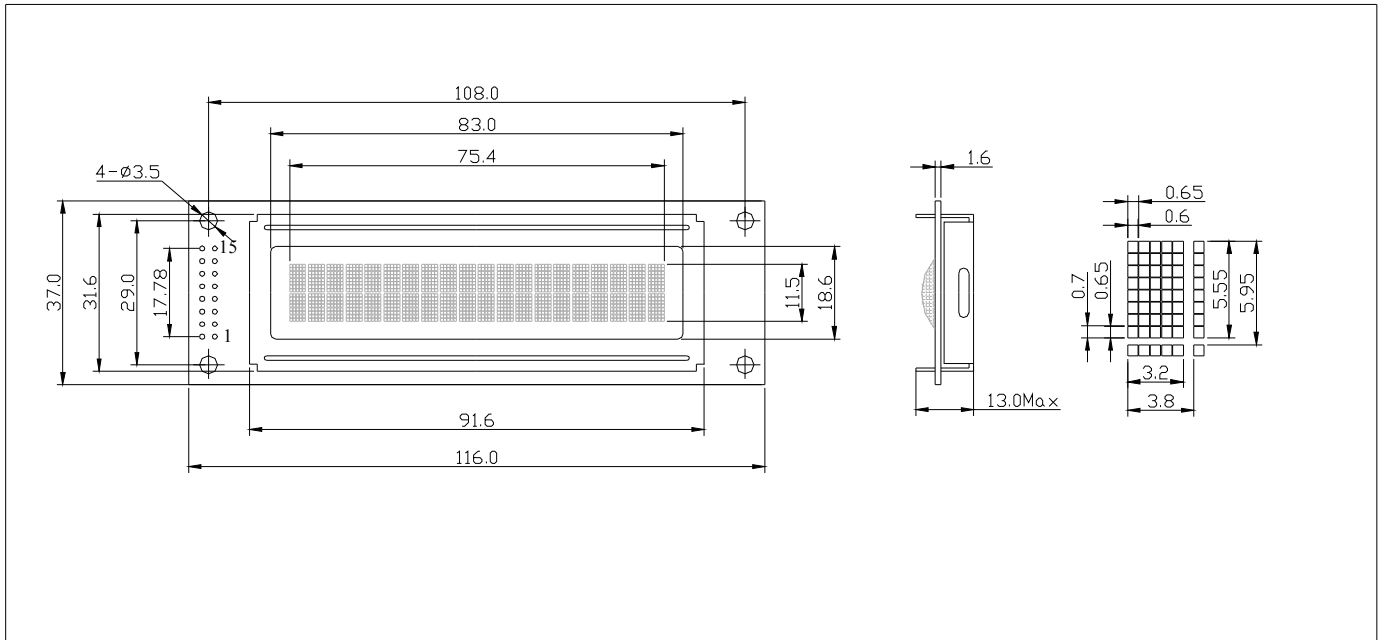


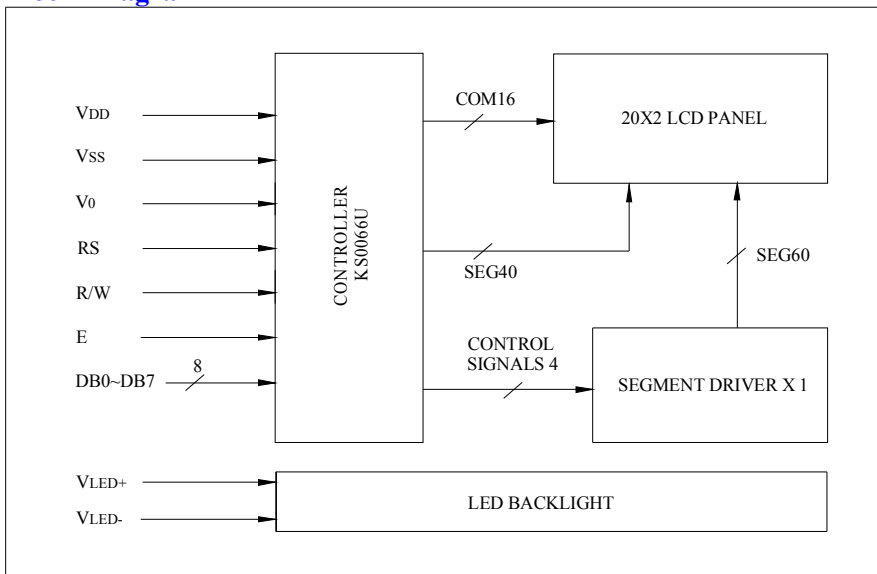
HTM2002A ----- 深圳市洪泰显示科技有限公司

- * 20 Character x 2 Lines
- * View Angle (6 : 00 or 12 :00)
- * 1/16 Duty , 1/5 Bias
- * EL or LED Backlight(Yellow , Blue , White)
- * Reflective or Transflective or Transmissive
- * STN (Yellow or Gray or Blue)
- * Controller/Drive (KS0066U)
- * Operating Temp (- 20°C~70°C)

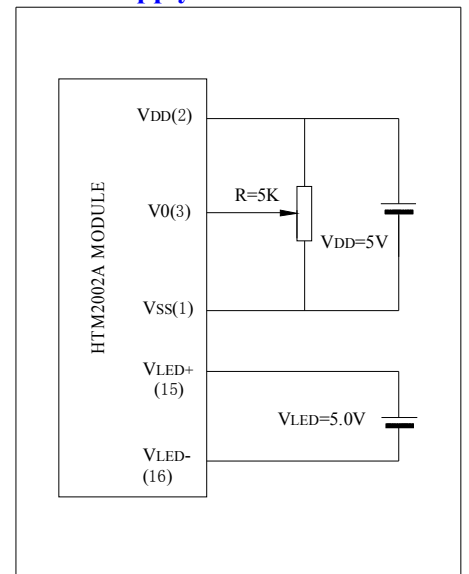
Outline Dimensions



Block Diagram



Power Supply



Mechanical Specifications Electrical Specifications

| Item | Description(mm) | Item | Symbol | Min | Typ | Max | Unit |
|-----------|------------------------|--------------------------|--------|------|-----|------|------|
| Size | 116.0(L)x37.0(W)x13(H) | Supply Voltage for Logic | VDD | 4.75 | 5.0 | 5.25 | V |
| V.A | 83.0(L)x18.6(W) | Supply Voltage for LCD | VLCD | 4.5 | 4.8 | 5.0 | V |
| Dot Pitch | 0.65(L)x0.70(W) | Supply Current for Logic | IDD | | 1.0 | 3.0 | mA |
| Dot Size | 0.60(L)x0.65(W) | Supply Current for LED | IF | | | 150 | mA |

Interface Signals

| Pin | Symbol | Level | Description | Pin | Symbol | Level | Description |
|-----|--------|-------|---------------------------|------|---------|-------|------------------|
| 1 | VSS | 0V | GND | 5 | R/W | H/L | H: Read L: Write |
| 2 | VDD | +5V | Supply Voltage for logic | 6 | E | H,H→L | Enable Signal |
| 3 | V0 | | Operating Voltage for LCD | 7~14 | DB0~DB7 | H/L | Data Bus |
| 4 | RS | H/L | H: Data L: Instruction | 15 | A | 5.0V | LED+ |
| | | | | 16 | K | 0V | LED- |