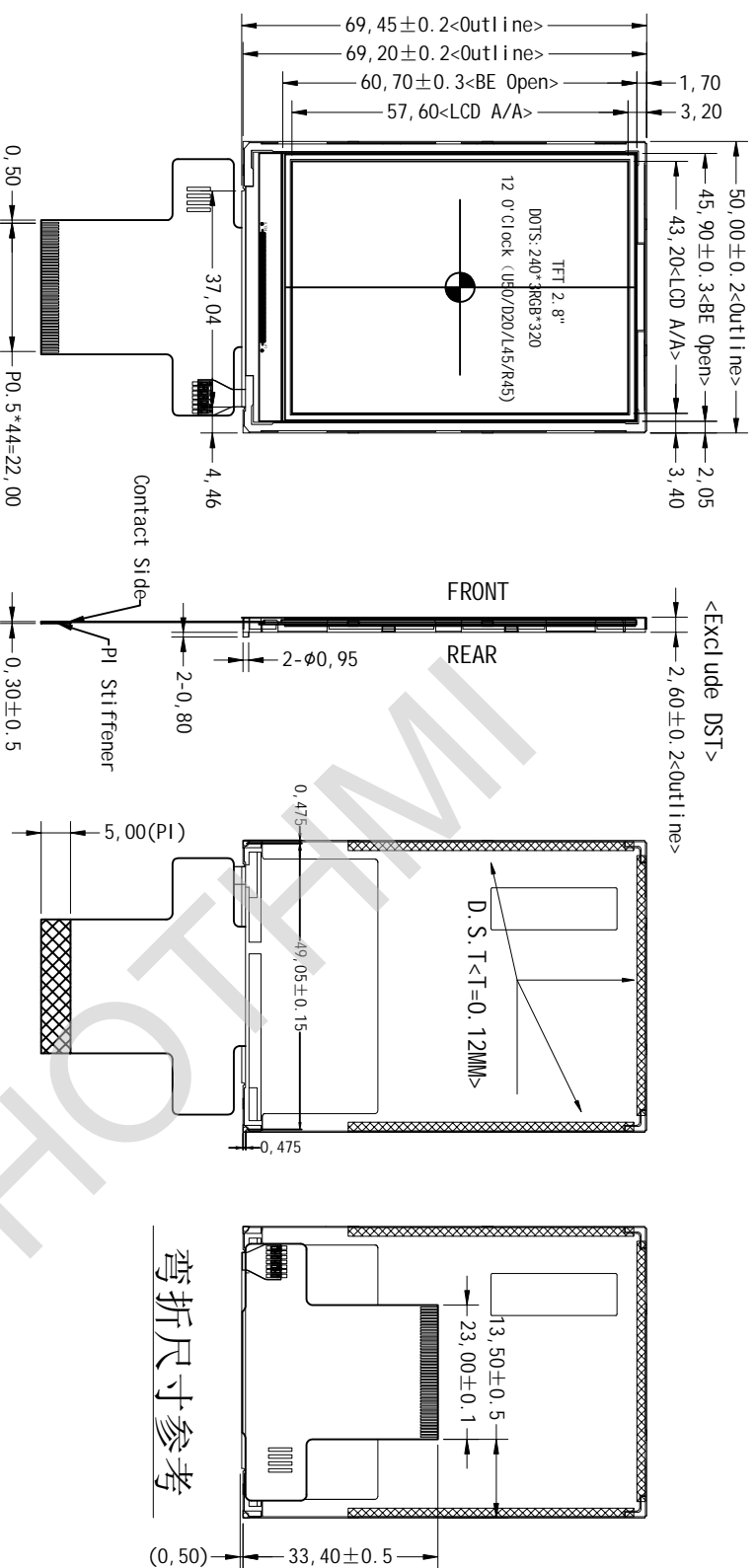


\*\*\* Do not display the fixed pattern for a long time when using a normally black panel, as it may cause image sticking due to the LCM structure. If the screen is displayed in fixed mode, use a screen saver. It is recommended to display the fixed mode in less than 2 minutes or less.

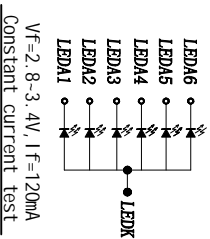


弯折尺寸参考

Pin_SIGNAL	Pin_SIGNAL
1	NC
2	NC
3	NC
4	IM0
5	CS
6	RS
7	WR
8	RD
9	RESX
10	NC
11	NC
12	DB17
13	DB16
14	DB15
15	DB14
16	DB13
17	DB12
18	DB11
19	DB10
20	NC
21	DB8
22	DB7
23	DB6
24	DB5
25	DB4
26	DB3
27	DB2
28	DB1
29	NC
30	NC
31	NC
32	NC
33	NC
34	LEDA
35	LEDK
36	LEDK
37	LEDK
38	LEDK
39	XR
40	YU
41	XL
42	YD
43	GND
44	GND
45	VCI

重点确认1: 提供的图纸资料中没有标明第1 Pin的位置, 请确认并标明  
 重点确认2: 请确认贵司是使用MCU 8位时是使用的哪几个数据线Pin脚  
 重点确认3: Pin脚4 "IM0" 是接"VCC"还是"GND"  
 重点确认4: 上铁框出排线端有超出0.25MM, 请确认对贵司结构是否有影响  
 重点确认4: 我司现有背为6颗LED共阳并联, 贵司是否能满足驱动要求

Item	Parameter	Value
*1.	LCD Display Type	FTT/Transmissive/Normally White/262K color
*2.	Viewing Direction	12.0" Clock (U50/D20/L45/R45)
*3.	Interface	8080 MCU 8/16 Bit
*4.	Operating Voltage	VCI=2.8V, IOWCC=1.8V(Typ)
*5.	Operating Temp	-30° C-70° C
*6.	Storage Temp	-40° C-85° C
*7.	Driver IC	ST7789V
*8.	Backlight	4 white LEDs in parallel
*9.	LCM Brightness	400 cd/m <sup>2</sup> (Typ)



Part Number: TFT-H028B110VST4N45

Scale	1:1	Unit	mm	Tolerance	±0.3
Ver.	V0	Drawn	Liu.YL	Date	2021-05-14