

## 2/2-way-valves DN 8 to DN 50 for slightly aggressive gaseous and liquid fluids solenoid actuated, with forced lifting

Piston valves

Internal threads G 1/4 to G 2 or 1/4" NPT to 2" NPT

Operating pressure 0 to 25 bar (40 bar)

# Click-on®

## Stainless Steel

85740  
85750

### Description (standard valve)

Solenoid valve for slightly aggressive gaseous and liquid fluids

Switching function:	Normally closed
Flow direction:	Determined
Fluid temperature:	-20 °C up to max. +90 °C
Ambient temperature:	-40 °C up to max. +50 °C
Mounting position:	optional , preferably solenoid vertical on top

### Material

Body:	Stainless steel
Seat seal:	NBR
Internal parts:	Stainless steel, PTFE/Carbon

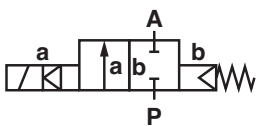
For contaminated fluids insertion of a strainer is recommended (see accessories).



### Features

- High flow rate
- For robust industry solutions
- Damped operation
- Suitable for vacuum
- For systems with low or discontinuous pressure
- Valve operates without differential pressure ( $\Delta p$ )
- Solenoid interchangeable without tools (**Click-on®**) up to G1

### Symbol



### Ordering information

To order, quote model number from table overleaf, e.g. 8574000.9401 for a G 1/4 valve with standard solenoid.

**Characteristic data** See page 2 valve and solenoid information

Detmolder Straße 256  
D-32545 Bad Oeynhausen

Postfach 10 02 52-53  
D-32502 Bad Oeynhausen

Telefon 05731 / 791-0  
Telefax 05731 / 791-179

<http://www.buschjost.de>  
[mail@buschjost.de](mailto:mail@buschjost.de)

Characteristic data

Valves

Part Number with DC solenoid	Part Number with AC solenoid	Nominal Diameter (mm)	Port Size	Operating Pressure*		kv-value ** (Base m³/h)	Weight (kg)
				min	max (bar)		
8574000.9401 8575000.9401	8574000.9404 8575000.9404	8	G 1/4 1/4" NPT	0	25	2.2	2.40
8574100.9401 8575100.9401	8574100.9404 8575100.9404	10	G 3/8 3/8" NPT	0	25	3.4	2.40
8574200.9401 8575200.9401	8574200.9404 8575200.9404	12	G 1/2 1/2" NPT	0	25	4.4	2.50
8574300.9401 8575300.9401	8574300.9404 8575300.9404	20	G 3/4 3/4" NPT	0	25	7.0	2.70
8574400.9401 8575400.9401	8574400.9404 8575400.9404	25	G 1 1" NPT	0	25	10.5	3.10
8574500.8401 8575500.8401	8574500.8404 8575500.8404	32	G 1 1/4 1 1/4" NPT	0	25	25.0	5.60
8574600.8401 8575600.8401	8574600.8404 8575600.8404	40	G 1 1/2 1 1/2" NPT	0	25	27.0	5.40
8574700.8401 8575700.8401	8574700.8404 8575700.8404	50	G 2 2" NPT	0	25	43.0	6.80

\* with gaseous and liquid fluids up to 40 mm²/s (cSt)

State voltage [V] and frequency [Hz]

\*\* C<sub>v</sub>-value (US) ≈ k<sub>v</sub>-value x 1.2

9401/9404 and 8401/8404 solenoid

Standard voltages

DC ---	AC ~ 40 Hz bis 60 Hz
24 V	24 V
-	110 V
-	120 V
-	230 V

Design acc. to DIN VDE 0580

Voltage range ±10 %

100 % duty cycle

Protection class acc. to EN 60529 IP65

Socket acc. to DIN EN 175301-803A (included)

AC solenoid with rectifier

Power Consumption

According to DIN VDE 0580 at coil temperature von +20 °C. In operation the solenoid coil decrease the power consumption appro. 30%.

Solenoid		---	~
DC	AC	DC	AC
<b>9401*</b>	<b>9404*</b>	38 W	42 VA / 38 W
<b>8401</b>	<b>8404</b>	40 W	45 VA / 40 W

\*  Coil only

Attention!

The conditions imposed on the Ex approvals lead to reduction of the permissible standard temperature ranges in the cases of explosion protected solenoids.

For technical details see catalogue register "Solenoids".




Options (Valves)

- XXXX01.XXXX Normally open;  
vertical on top;only with solenoid 8400
- XXXX02.XXXX Manual override
- XXXX03.XXXX Seat seal FPM,  
fluid temperature -10 °C up to max. +110 °C <sup>1)</sup>
- XXXX06.XXXX Seat seal PTFE,fluid temperature max + 110 °C <sup>1)</sup>,  
operating pressure max 16 bar
- XXXX14.XXXX Seat seal EPDM,  
max. fluid temperature +110 °C
- XXXX17.XXXX Normally open; Seat seal FPM  
fluid temperature -10 °C up to max. +110 °C <sup>1)</sup>  
vertical on top;  
only with solenoid 8400
- XXXX22.XXXX max. operating pressure 40 bar
- XXXX23.XXXX Position indicator with two solenoid switches,  
only with solenoid 8400
- XXXX25.XXXX Seat seal FPM, only up to ND 50,  
with larger bleed orifices in the piston,  
viscosity max. 80 mm²/s (cSt),  
fluid temperature -10 °C up to max. +110 °C <sup>1)</sup>
- On request Further versions

Accessories :

- Manual override conversion kit
- Mounting bracket conversion kit

Options (Solenoid)

- XXXXXX.8441 Protection class  EEx me II T3 T 140°C
- \*XXXXXX.9426 Protection class  EEx nA II T4 T 135°C
- \*XXXXXX.8426 Protection class  EEx nA II T4 T 135°C
- On request further versions

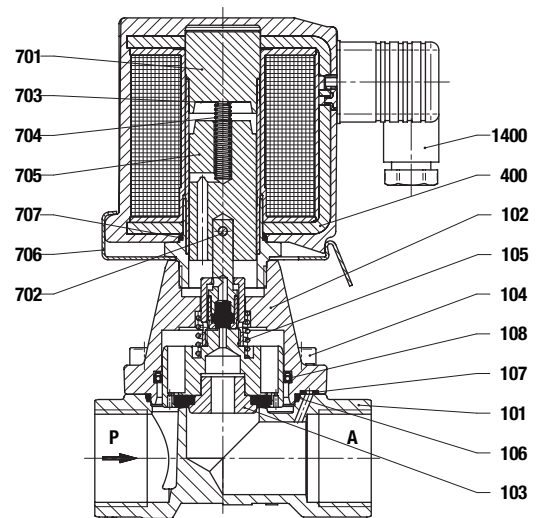
\* DC only, for AC solenoids with design inspection certificate acc. to category 2, e.g. XXXXXX.8441

<sup>1)</sup> Up to max. 200 °C fluid temperature with solenoid for higher temperature

**Section View 01**

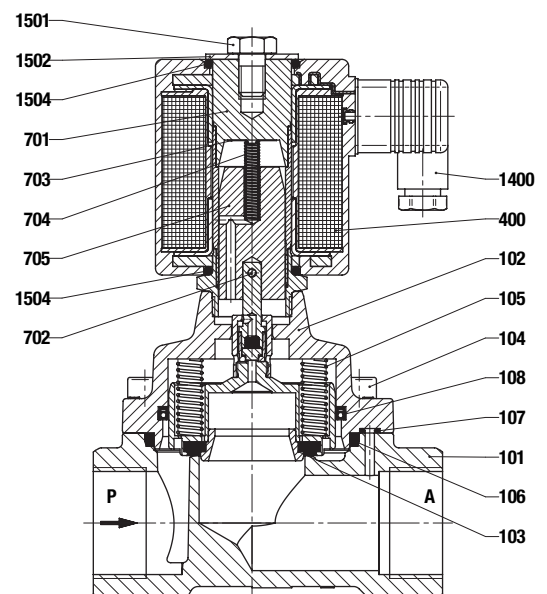
up to G 1 (1" NPT)

- 101 Valve body
- 102 Body cover
- \*103 Valve piston
- 104 Socket head cap screw
- \*105 Pressure spring
- \*106 O-ring
- \*107 O-ring
- \*108 Grooved ring
- 400 Solenoid
- 701 Core tube
- \*702 Straight pin
- 703 Round plate
- \*704 Pressure spring
- \*705 Core
- 706 Spring clip
- \*707 O-ring
- 1400 Socket (included)

**Section View 02**

from G 1 1/4 (1 1/4" NPT)

- 101 Valve body
- 102 Body cover
- \*103 Valve piston
- 104 Socket head cap screw
- \*105 Pressure spring (2x)
- \*106 O-ring
- \*107 O-ring
- \*108 Grooved ring
- 400 Solenoid
- 701 Core tube
- \*702 Straight pin
- 703 Round plate
- \*704 Pressure spring
- \*705 Core
- 1400 Socket (included)
- 1501 Hexagon screw
- 1502 Round plate
- \*1504 O-ring (2x)

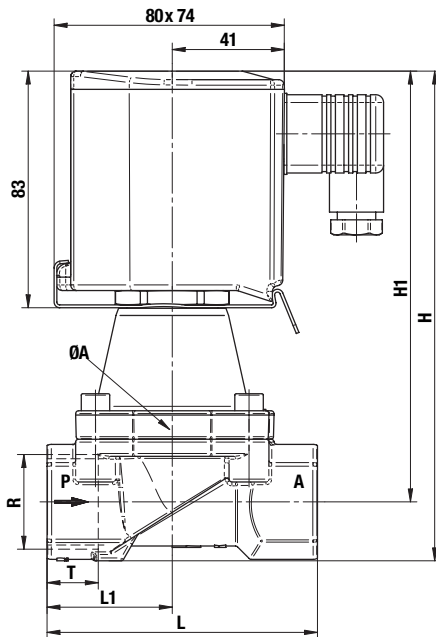


\* These individual parts form a complete wearing unit.  
When ordering spare parts please state Cat No and Series No.

**General Dimensions 01 (Standard valve)**

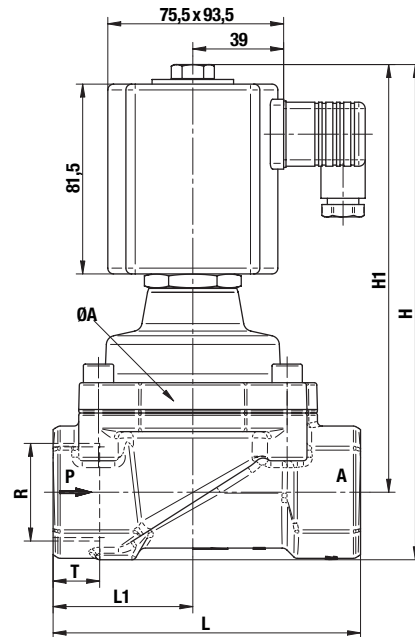
up to G (1" NPT)

Solenoid rotatable 360°  
Socket turnable 4 x 90°



**General Dimensions 02**

from G 1 1/4 (1 1/4" NPT)



Part Number.	Ø A	H	H1	L	L1	R	T
8574000.940x 8575000.940x	44	152.0	140.5	60	27.5	G 1/4 1/4" NPT	12.0 10.0
8574100.940x 8575100.940x	44	152.0	140,5	60	27.5	G 3/8 3/8" NPT	12.0 10.5
8574200.940x 8575200.940x	44	154.5	140.5	67	31.0	G 1/2 1/2" NPT	14.0 13.5
8574300.940x 8575300.940x	50	162.0	146.5	80	36.5	G 3/4 3/4" NPT	16.0 14.0
8574400.940x 8575400.940x	62	183.0	162.0	95	44.0	G 1 1" NPT	18.0 17.0
8574500.840x 8575500.840x	92	212.5	183.5	132	60.0	G 1 1/4 1 1/4" NPT	20.0 17.0
8574600.840x 8575600.840x	92	212.5	183.5	132	60.0	G 1 1/2 1 1/2" NPT	22.0 17.0
8574700.840x 8575700.840x	109	226.5	192.0	160	74.0	G 2 2" NPT	24.0 17.5

**Note to Pressure Equipment Directive (PED):**

The valves of this series, including the connection-size DN 25 (G 1), are according to Art. 3 § 3 of the Pressure Equipment Directive (PED) 97/23/EG. This means interpretation and production are in accordance to engineers practice wellknown in the member countries.

The CE-sign at the valve refers not to the PED. Thus the declaration of conformity is not longer applicable for this directive.

For valves > DN 25 (G 1) Art. 3 § (1) No.1.4 applies.

The basic requirements of the Enclosure I of the PED must be fulfilled. The CE-sign at the valve includes the PED. A certificate of conformity of this directive will be available on request.

**Note to Electromagnetic Compatibility Guideline (EEC):**

The valves shall be provided with an electrical circuit which ensures the limits of the harmonised standards EN 61000-6-3 and EN 61000-6-2 are observed, and hence the requirements of the Electromagnetic Compatibility Guideline (89/336/EEC) satisfied.