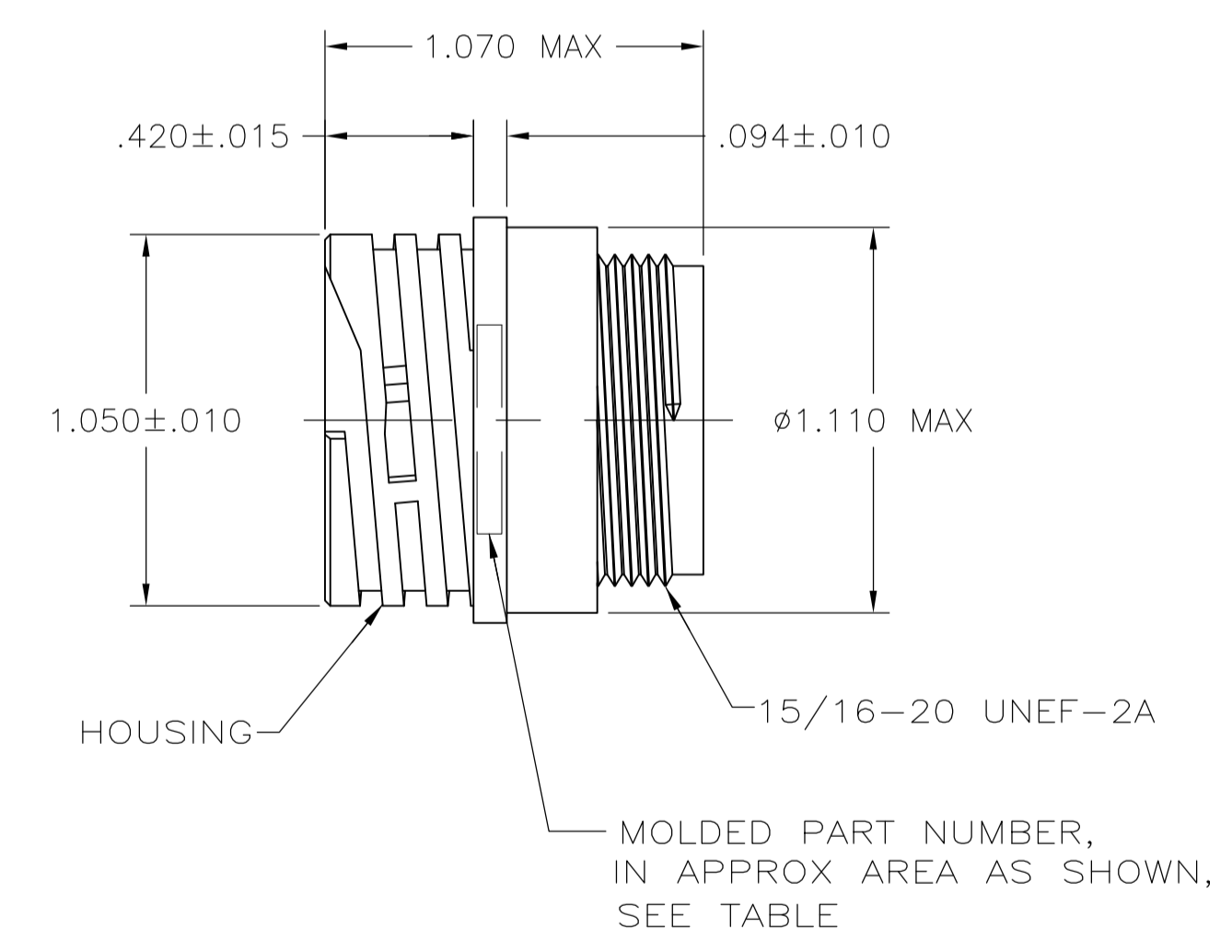
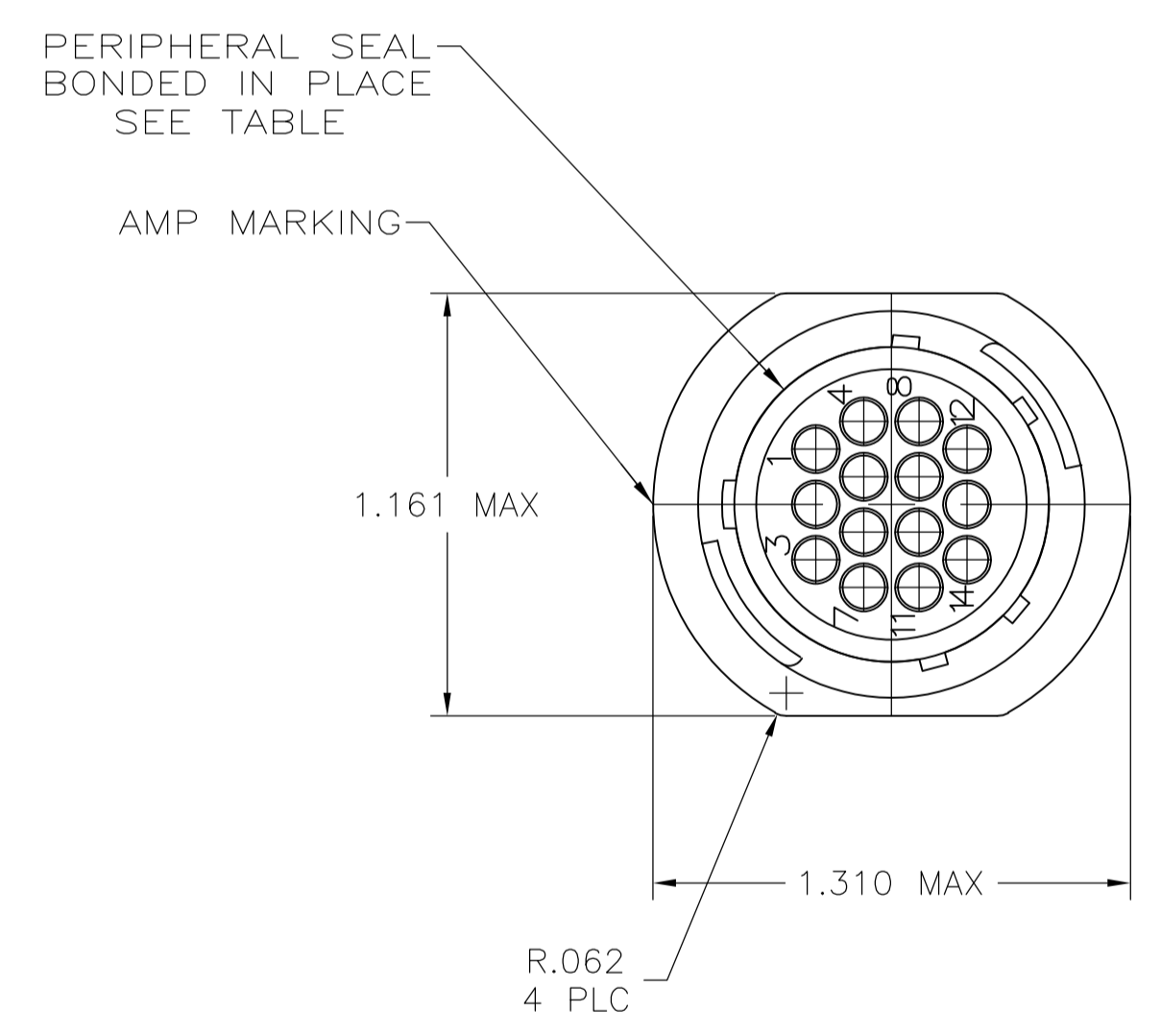


RECOMMENDED PANEL CUTOUT

DETAIL A



DETAIL B

NOTES:

1. CAVITY IDENTIFICATION ON FRONT AND REAR FACE.
2. WILL ACCEPT FOURTEEN (14) MULTIMATE SOCKET CONTACTS.
3. PRELIMINARY PART NUMBER.
4. OBSOLETE PARTS: OBSOLETE CIS STREAMLINING PER D.RENAUD/D.SINISI

3	4-40 THREADED INSERTS	-	STANDARD	YES	A	206043-8
4	Ø.150	-	SMALL PACK	NO	A	206043-6
	-	-	STANDARD	YES	B	206043-5
	Ø.150	-	STANDARD	YES	A	206043-4
	-	-	STANDARD	NO	B	206043-3
	Ø.150	206043-1	STANDARD	NO	A	206043-1
	DIM C	MOLDED PART NUMBER	PACKAGING	PERIPHERAL SEAL	SEE DETAIL	PART NO.

THIS DRAWING IS A CONTROLLED DOCUMENT.

DIMENSIONS: INCHES	TOLERANCES UNLESS OTHERWISE SPECIFIED:	DIN W. LENKER 09/10/92	TE Connectivity
0 PLC ± -	1 PLC ± -	CHK R. STONE 08/11/93	RECEPTACLE ASSEMBLY, REVERSE
2 PLC ± ± 0.13 [.005]	3 PLC ± ± -	APVD -	SEX, SERIES 1, 17-14, CPC
4 PLC ± ± -	ANGLES ± ± -	NAME	108-10024
MATERIAL HOUSING: NYLON BLACK	FINISH -	SIZE	SCALE 2:1
		WEIGHT	SHEET 1 OF 1
		CUSTOMER DRAWING	REV R2