

HB 油壓增壓器



Hydraulic Booster

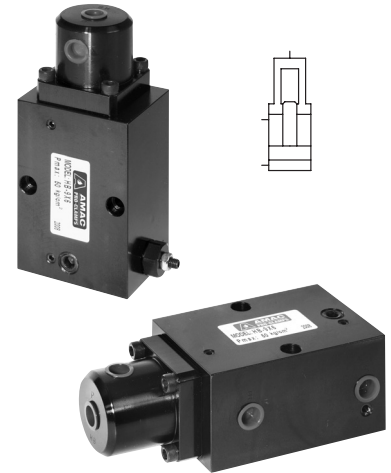
• Pmax:50kg/cm²

產品簡介

- 本產品機構內附油壓順序閥，預壓式特性操作時可將作動缸充滿油，達到預先設定之壓力順序閥動作，即可獲得倍數增壓。
- 適用於油壓專用機，MC治具低壓迴路中，部份油壓缸需高壓操作之場合，僅需一只電磁閥或安裝於管路中，即可操作HB增壓器，可將低油壓自動轉換成高油壓，獲得高壓夾持。

Product Introduction

- A hydraulic sequential valve is attached to the structure of this unit. When operating, it may oil to cylinder and makes it be at the dual pressure and let the sequential valve act, and then it will provide multiple boosting pressure.
- It's fit for hydraulic special purpose machine and MC clamp in low pressure circuit, It needs a solenoid valve installed in the circuit, and then it will be able to operate HB super-charger. The super-charger may be converted automatically from low oil-pressure to high oil-pressure and obtain a high pressure clamping.



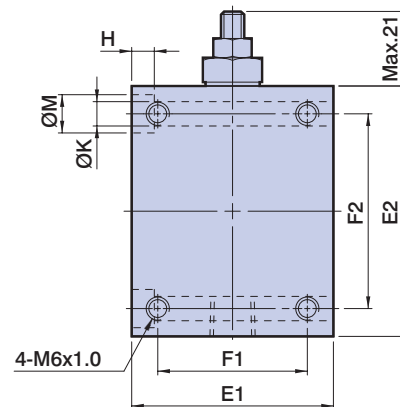
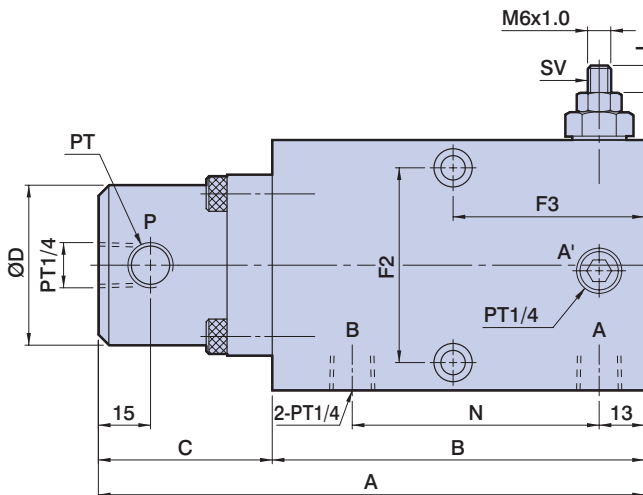
最高操作壓力50kg/cm²
Max. operation pressure

SV 油壓順序閥調整參考

Adjustment reference for sv sequence valve

M6 長度 L	M6 Length L	mm	7	6	5	4	3	2	1
啟動壓力	Start Pressure	kg/cm ²	20	25	30	35	40	45	50

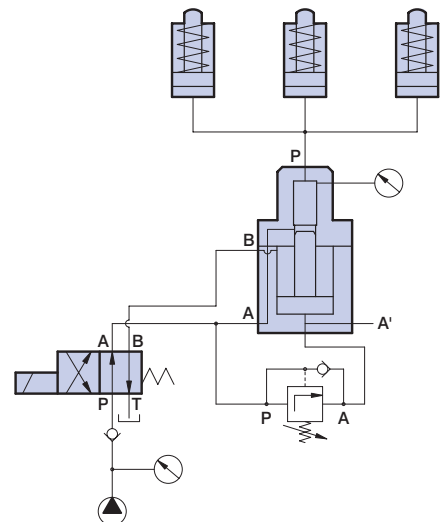
↑ 出廠設定壓力30kg/cm²
Pressure set at 30kg/cm² bfor shipment



UNIT:mm

MODEL	HB-9x6	HB-5x10	HB-3.5x15	HB-8x22	HB-5x35	HB-3.8x45
增壓倍數 Multiple boost	9	5	3.5	8	5	3.8
高壓吐油量 High pressure output	6cc	10cc	15cc	22cc	35cc	45cc
A	157		210			
B	107		139			
C	50		71			
øD	ø46		ø58			
E1	58		82			
E2	72		95			
F1	43		62			
F2	56		80			
F3	55		70			
H	7		9			
øK	ø7		ø9			
øM	ø11		ø14			
N	71		96			
PT	PT1/4	PT1/8		PT1/4		

迴路圖 Circuit diagram



HB 油壓增壓器

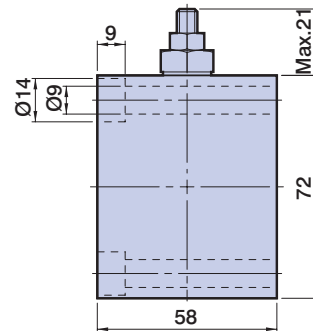
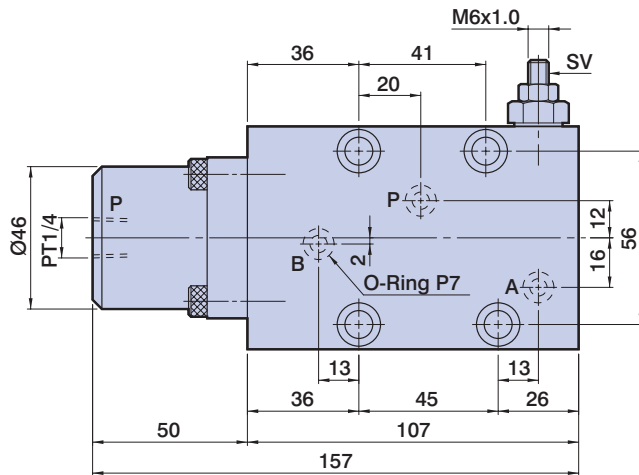


Hydraulic Booster

2013 NEW PRODUCT

最高操作壓力50kg/cm²
Max. operation pressure

油路板型	HB - M5 x 10
Manifold type	HB - M9 x 6



配管式 Line type	HB-3.2 x 25
油路板型 Manifold type	HB-M3.2 x 25

操作壓力範圍 Operation pressure range	30 - 200 kg/cm ²
增壓倍數 Boost pressure rate	3.2
高壓吐量 High pressure output	25 cc

