

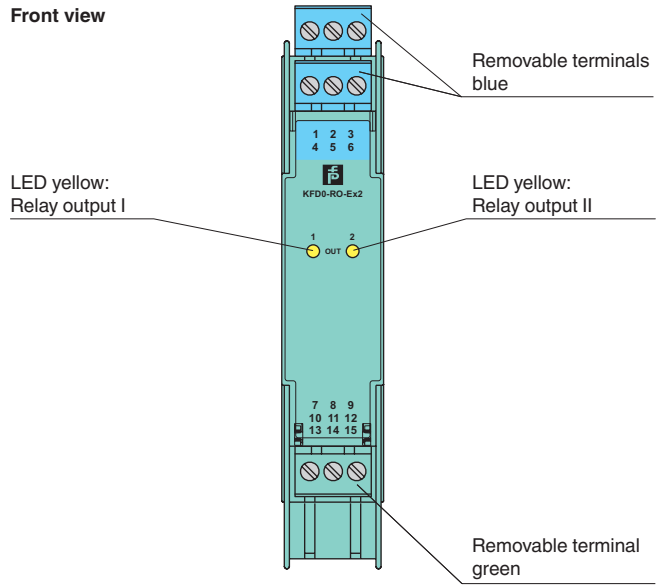
Features

- 2-channel isolated barrier
- 24 V DC supply (loop powered)
- Logic input 15 V DC ... 30 V DC, non-polarized
- Relay contact output
- Up to SIL 3 acc. to IEC 61508

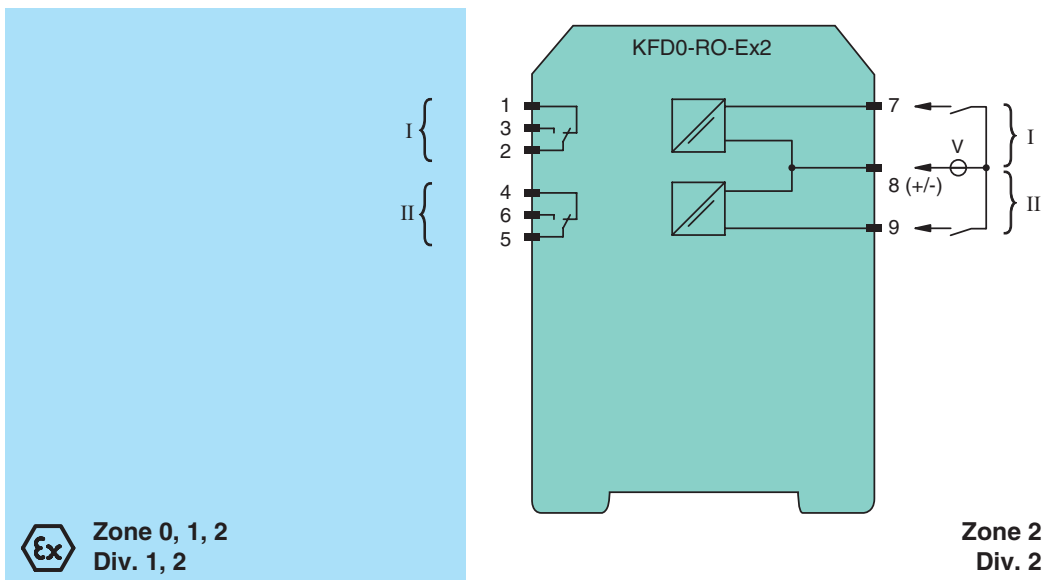
Function

This isolated barrier is used for intrinsic safety applications. The device switches intrinsically safe circuits on the field side. Typical applications for the use of the device are remote reset, fire alarm testing or remote calibration of strain gauges. The outputs are galvanically isolated to the inputs. The inputs are not polarized and share a common reference potential. Each input of the device is protected by a fuse and an electronic current limiting.

Assembly



Connection



Release date 2018-05-08 08:09 Date of issue 2018-05-08 038975_eng.xml

Refer to "General Notes Relating to Pepperl+Fuchs Product Information".

Pepperl+Fuchs Group
www.pepperl-fuchs.com

USA: +1 330 486 0002
pa-info@us.pepperl-fuchs.com

Germany: +49 621 776 2222
pa-info@de.pepperl-fuchs.com

Singapore: +65 6779 9091
pa-info@sg.pepperl-fuchs.com

General specifications		
Signal type		Digital Output
Functional safety related parameters		
Safety Integrity Level (SIL)		SIL 3
Supply		
Rated voltage	U_r	loop powered
Power dissipation		0.8 W
Input		
Connection side		control side
Connection		terminals 7, 8, 9
Input voltage		15 ... 30 V DC
Input current		≤ 21 mA per channel
Output		
Safety note		Attention! Combination of output Ex i with output not Ex i is not permitted. If load voltage > 50 V, de-energize before removing the terminals.
Connection side		field side
Connection		terminals 1, 2, 3; 4, 5, 6
Contact loading		230 V AC/2 A/cos ϕ > 0.7; 40 V DC/2 A resistive load
Energized/De-energized delay		approx. 10 ms / approx. 5 ms
Mechanical life		5 x 10 ⁶ switching cycles
Transfer characteristics		
Switching frequency		< 10 Hz
Galvanic isolation		
Input/Output		reinforced insulation according to IEC/EN 61010-1, rated insulation voltage 300 V _{eff}
Output/Output		basic insulation according to IEC/EN 61010-1, rated insulation voltage 300 V _{eff}
Indicators/settings		
Display elements		LEDs
Labeling		space for labeling at the front
Directive conformity		
Electromagnetic compatibility		
Directive 2014/30/EU		EN 61326-1:2013 (industrial locations)
Low voltage		
Directive 2014/35/EU		EN 61010-1:2010
Conformity		
Electromagnetic compatibility		NE 21:2006
Degree of protection		IEC 60529:2001
Ambient conditions		
Ambient temperature		-20 ... 65 °C (-4 ... 149 °F)
Mechanical specifications		
Degree of protection		IP20
Connection		screw terminals
Mass		approx. 100 g
Dimensions		20 x 119 x 115 mm (0.8 x 4.7 x 4.5 inch) , housing type B2
Mounting		on 35 mm DIN mounting rail acc. to EN 60715:2001
Data for application in connection with hazardous areas		
EU-Type Examination Certificate		DMT 00 ATEX E 016
Marking		⊕ II (1)G [Ex ia Ga] IIC ⊕ II (1)D [Ex ia Da] IIIC ⊕ I (M1) [Ex ia Ma] I
Output		Ex ia
Voltage	U_i	60 V
Current	I_i	2 A
Type of protection [EEx ia and EEx ib]		
Input		
Maximum safe voltage	U_m	40 V DC (Attention! U_m is no rated voltage.)
Output		
Contact loading		50 V AC/2 A ; 40 V DC/2 A (TÜV 00 ATEX 1621 X)
Certificate		TÜV 00 ATEX 1621 X
Marking		⊕ II 3G Ex nA nC IIC T4
Galvanic isolation		
Input/Output		safe electrical isolation acc. to IEC/EN 60079-11, voltage peak value 375 V
Output/Output		safe electrical isolation acc. to IEC/EN 60079-11, voltage peak value 60 V
Directive conformity		
Directive 2014/34/EU		EN 60079-0:2012+A11:2013 , EN 60079-11:2012 , EN 60079-15:2010

Release date 2018-05-08 08:09 Date of issue 2018-05-08 038975_eng.xml

Refer to "General Notes Relating to Pepperl+Fuchs Product Information".

Pepperl+Fuchs Group
www.pepperl-fuchs.com

USA: +1 330 486 0002
pa-info@us.pepperl-fuchs.com

Germany: +49 621 776 2222
pa-info@de.pepperl-fuchs.com

Singapore: +65 6779 9091
pa-info@sg.pepperl-fuchs.com

International approvals	
FM approval	
Control drawing	116-0261
CSA approval	
Control drawing	116-0156
IECEX approval	IECEX BVS 10.0025
Approved for	[Ex ia Ga] IIC, [Ex ia Da] IIIC, [Ex ia Ma] I
General information	
Supplementary information	Observe the certificates, declarations of conformity, instruction manuals, and manuals where applicable. For information see www.pepperl-fuchs.com .

Release date 2018-05-08 08:09 Date of issue 2018-05-08 038975_eng.xml

Refer to "General Notes Relating to Pepperl+Fuchs Product Information".

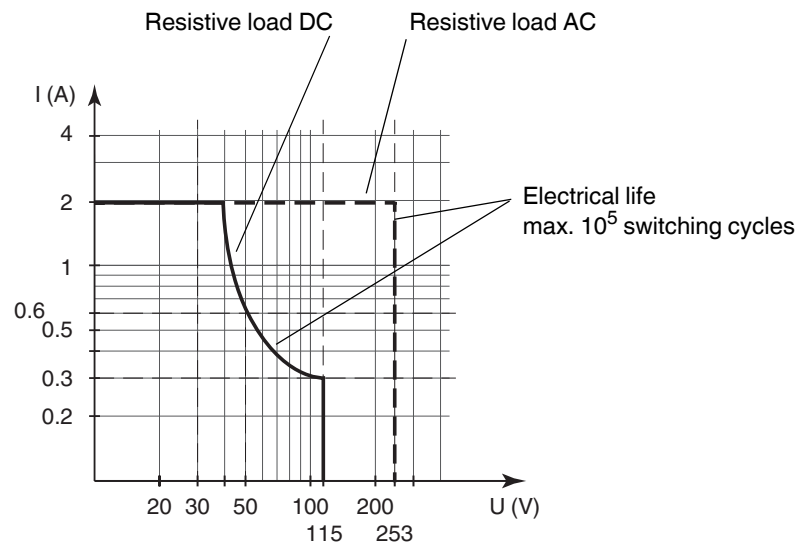
Pepperl+Fuchs Group
www.pepperl-fuchs.com

USA: +1 330 486 0002
pa-info@us.pepperl-fuchs.com

Germany: +49 621 776 2222
pa-info@de.pepperl-fuchs.com

Singapore: +65 6779 9091
pa-info@sg.pepperl-fuchs.com

Maximum switching power of output contacts



The maximum number of switching cycles is depending on the electrical load and may be higher when reduced currents and voltages are applied.