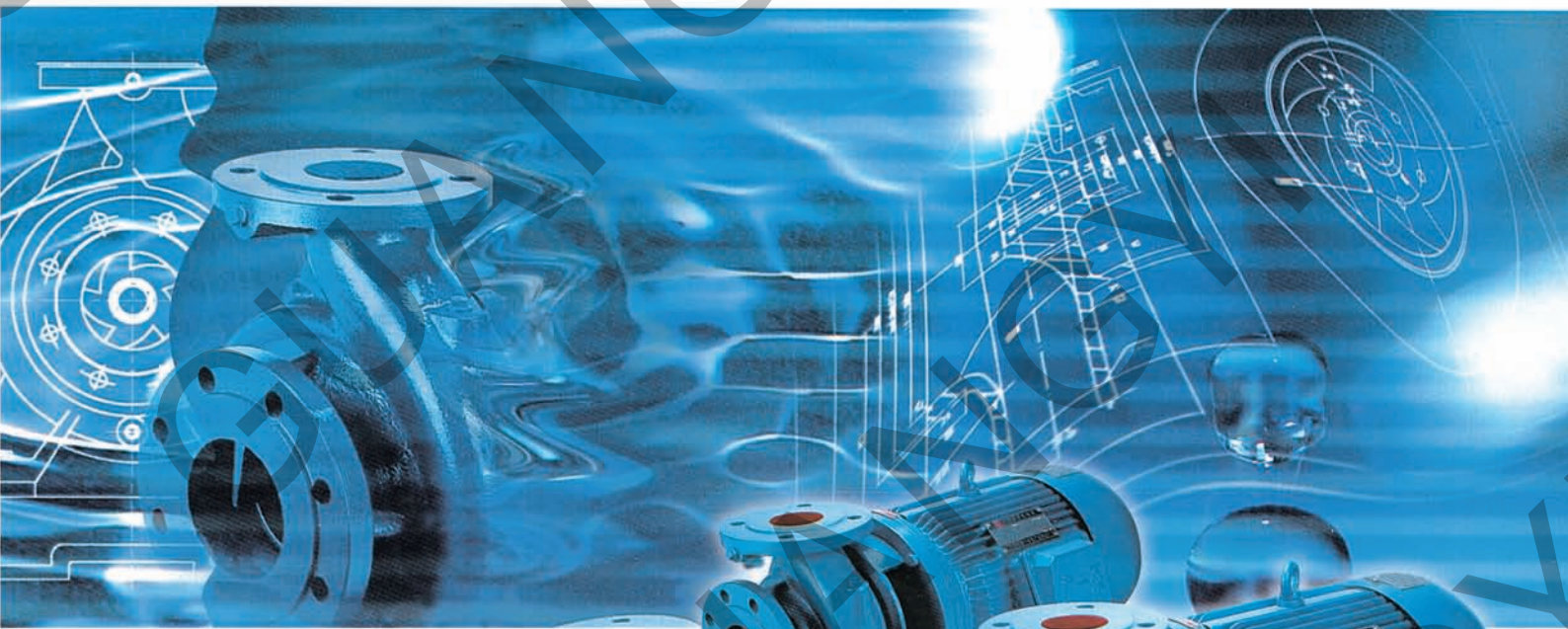




认可注册号:CNAB007-Q

直联式离心泵 IZ

DIRECT-COUPLED PUMP TYPE



广州市第一水泵厂 广州广一泵业有限公司
GUANGZHOU NO.1 PUMP FACTORY GUANGZHOU GUANGYI PUMP INDUSTRY CO.LTD.

执行标准：Q/GZGY75-2008
 APPLICABLE STANDARD: Q/GZGY75-2008

用途

IZ型泵是单级直联式离心泵，广泛用于工业和城市排水、高层建筑增压送水、消防供水、空调系统以及农业排灌等用途。

USE:

Type IZ pumps are the single-stage closed-couple centrifugal pump which draining for plant and city, water supplied for altitude supercharging, firefight system, air-condition and irrigation etc.

输送介质

主要供吸送稀释的、清洁的、不腐蚀的清水及粘度5℃以下，物理化学性质类似水不含固体颗粒或纤维的液体。

TRANSMITTED MEDIUM

Type IZ pumps are used for pumping diluent, clean, un-corrosive water and liquids under 50 conglutination which characteristic of chemical and physical is similar to water in which does not contain solid granule or fibre.

性能范围

转速	2900r/min
流量	7.5-120m ³ /h
扬程	18.5-127m
功率	1.5-37kW

CAPABILITY

Speed	2900r/min
Capacit	7.5-120m ³ /h
Head	18.5-127m
Power	1.5-37kW

工作条件

最高工作温度：80℃。

WORKING CONDITION
 Temperature (Max.): 80

配置

电动机配用Y型全封闭风扇冷却的鼠笼式直联式卧式电机。

提供两种不同的安装结构模式，结构Ⅰ型泵安置在铸铁底板上。结构Ⅱ型不需要安装底板，可直接将电机安装在水平底座上。用户可根据情况选择。

SCHEME

The electromotor adopts the type Y motor which with all-closed, fan refrigerant, close-couple and horizontal characters.

By provided 2 kinds of different installation structures, for structure I, the pump is put on the cast-iron motherboard. For structure II, the motor may be put directly on the horizontal base. It may be up to client's preference.

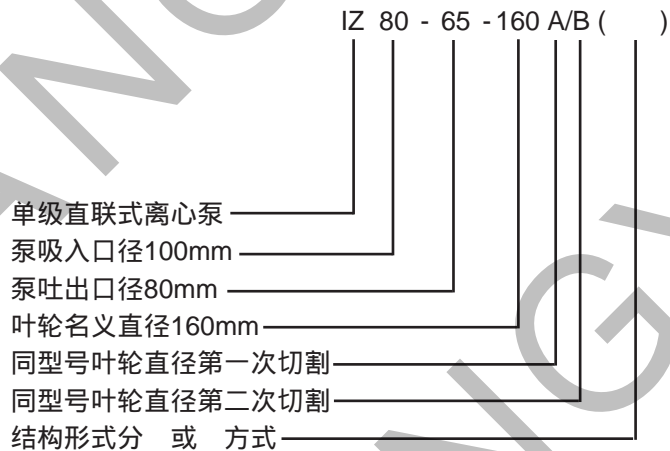
泵说明

采用直联式结构，泵由电动机直接驱动，减少了备件的数量。蜗室、进水法兰和出水法兰铸成一个整体。采用水力和动力平衡的叶轮，悬臂式安装，具有较高的吸水性能和较高的效率，抗汽蚀能力强。采用优质机械密封，使该型泵具有结构简单、性能可靠、体积小、重量轻、噪音低、抗汽蚀性能好、电耗低、使用维修方便的特点。

DESCRIPTION

Type IZ pumps use close-couple in structure which are driven by electromotor in case to reduce quantity of accessories. The suction and discharge flange, the casing and pump foot are all cast to a whole. With good function on absorbing water, high efficiency and resist on steam cauterization, the impellers with hydraulic and dynamic balance are adopted and cantilevering installed in the pumps. By used of excellent mechanical seal, the pumps are simple in structure, reliable in performance, small in size, light in weight, low noises, good resist on steam cauterization, low in power consumption and easy in maintenance.

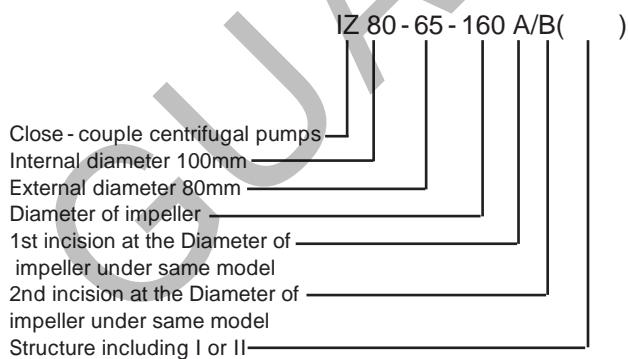
型号意义说明



PARTS NAME

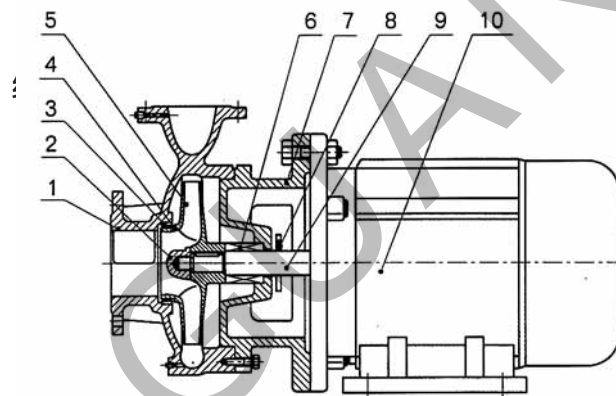
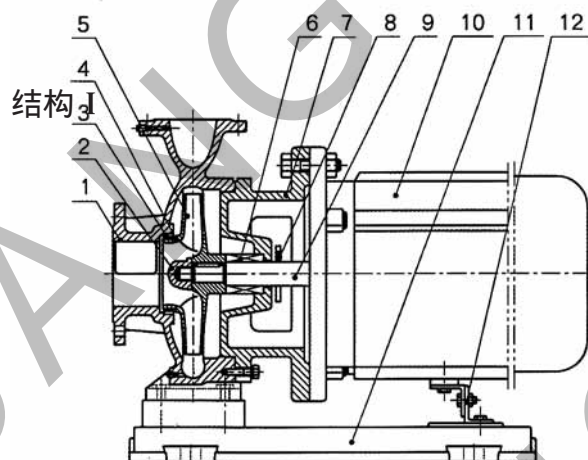
No	Component
1	Volute casing
2	Impeller nut
3	Wear ring
4	Gasket
5	Impeller
6	Mechanical seal
7	Casing cover bracket
8	Slinger
9	Shaft
10	Close - couple Motor
11	Motherboard
12	Bracket

MODEL DESIGNATION



零件名称

序号	组件
1	泵壳
2	叶轮螺母
3	密封环
4	止动垫圈
5	叶轮
6	机械密封
7	泵盖托架
8	挡水圈
9	泵轴
10	直联电机
11	底板
12	支架



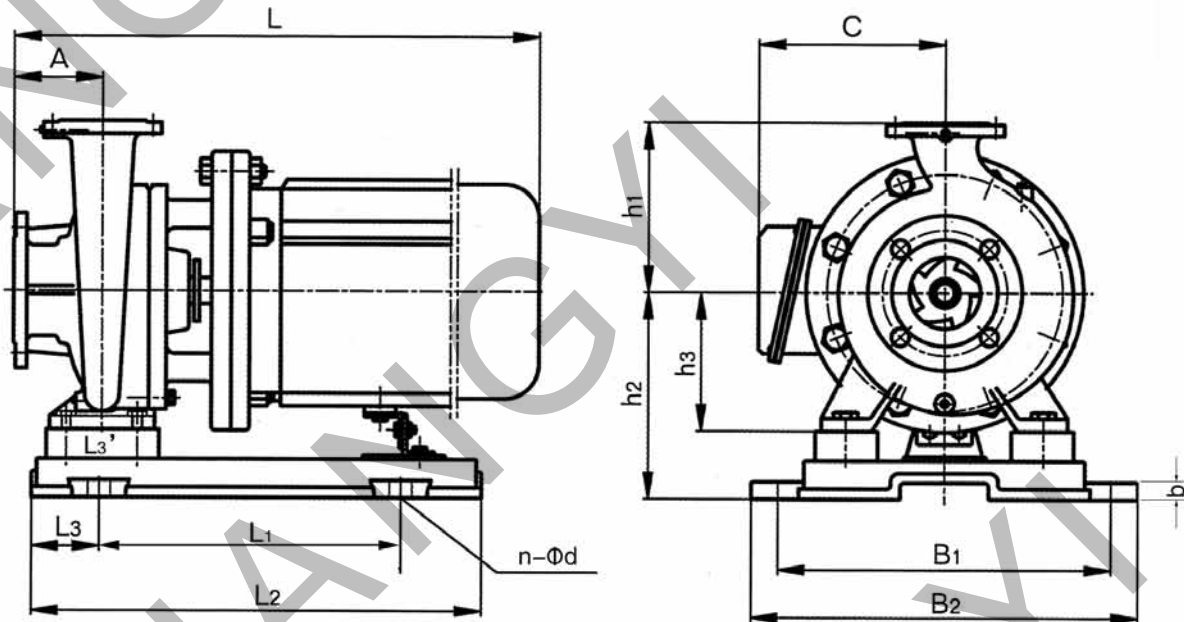
技术规格
TECHNICAL DATA

型号 Model	流量 Capacity Q		扬程 Head H (m)	转速 Rotation Speed n (r/min)	功率 Power (kW)		效率 Efficiency (%)	必需汽 蚀余量 (NPSH) _r (m)	口径 Bore (mm)		吐出锥管口径 Discharge Conic pipe Dia.(mm)
	m ³ /h	l/s			轴功率 Brake Power	配用功率 Motor Power			吸入 Inlet	排出 Outlet	
IZ50-32-125	7.5	2.08	22	2900	0.96	2.2	47	2.0	50	32	32-50
	12.5	3.47	20		1.13		60				
	15	4.17	18.5		1.26		60				
IZ50-32-160	7.5	2.08	34.3	2900	1.59	3	44	2.0	50	32	32-50
	12.5	3.47	32		2.02		54				
	15	4.17	29.6		2.16		56				
IZ50-32-160A	7	1.94	30.3	2900	1.37	2.2	42	2.0	50	32	32-50
	11.8	3.28	28		1.74		51.7				
	14	3.89	26		1.86		53.3				
IZ50-32-200	7.5	2.08	52.5	2900	2.82	5.5	38	2.0	50	32	32-50
	12.5	3.47	50		3.54		48				
	15	4.17	48		3.95		51				
IZ50-32-200A	7.2	2	47.3	2900	2.49	5.5	37	2.0	50	32	32-50
	12	3.33	45		3.13		47				
	14.4	4	43.2		3.5		48.4				
IZ50-32-200B	6.5	1.81	39.8	2900	1.91	3	37	2.0	50	32	32-50
	10.8	3	38		2.39		47				
	13	3.61	36.4		2.68		48				
IZ50-32-250	7.5	2.08	82	2900	5.87	11	28.5	2.0	50	32	32-50
	12.5	3.47	80		7.16		38				
	15	4.17	78.5		7.83		41				
IZ50-32-250A	7	1.94	71.8	2900	4.9	7.5	28	2.0	50	32	32-50
	11.7	3.25	70		6.03		37				
	14	3.89	68.8		6.58		40				
IZ50-32-250B	6.5	1.81	61.5	2900	3.88	5.5	28	2.0	50	32	32-50
	10.8	3	60		4.9		37				
	13	3.61	58.8		5.15		40				
IZ65-50-125	15	4.17	21.8	2900	1.54	3	58	2.0	65	50	50-65
	25	6.94	20		1.97		69				
	30	8.33	18.5		2.22		68				
IZ65-50-160	15	4.17	35	2900	2.65	5.5	54	2.0	65	50	50-65
	25	6.94	32		3.35		65				
	30	8.33	30		3.71		66				
IZ65-50-160A	14	3.89	30.5	2900	2.24	4	52	2.0	65	50	50-65
	23.5	6.53	27.8		2.83		64				
	28	7.78	26		3.13		63.3				
IZ65-40-200	15	4.17	53	2900	4.42	7.5	49	2.0	65	40	40-65
	25	6.94	50		5.67		60				
	30	8.33	47		6.29		61				
IZ65-40-200A	14	3.88	46.5	2900	2.2	5.5	49	2.0	65	40	40-65
	23.4	6.5	44		4.6		60				
	28	7.77	41		5.14		61				
IZ65-40-250	15	4.17	82	2900	9.05	15	37	2.0	65	40	40-65
	25	6.94	80		10.89		50				
	30	8.33	78		12.02		53				
IZ65-40-250A	14	3.89	72	2900	7.65	11	36	2.0	65	40	40-65
	23.4	6.5	70		9.1		49				
	28	7.78	68		10		52				
IZ65-40-315	15	4.17	127	2900	18.5	30	28	2.5	65	40	40-65
	25	6.94	125		21.3		40				
	30	8.33	123		22.8		44				
IZ65-40-315A	14.3	3.97	116	2900	16.2	22	28	2.5	65	40	40-65
	23.9	6.64	114		18.6		40				
	28.6	7.94	111		19.7		44				
IZ80-65-125	30	8.33	22.5	2900	2.87	5.5	64	3.0	80	65	65-80
	50	13.9	20		3.68		75				
	60	16.7	18		3.98		74				

技术规格
TECHNICAL DATA

型号 Model	流量 Capacity Q		扬程 Head H (m)	转速 Rotation Speed n (r/min)	功率 Power (kW)		效率 Efficiency (%)	必需汽 蚀余量 (NPSH)r (m)	口径 Bore (mm)		吐出锥管口径 Discharge Conicpipe Dia.(mm)	
	m ³ /h	l/s			轴功率 Brake Power	配用功率 Motor Power			吸入 Inlet	排出 Outlet		
IZ80-65-125A	28	7.78	18.6	2900	2.34	4	66.6	3.0	80	65	65-80	
	46.7	12.9	16.6		2.96		72					3.0
	56	15.5	14.9		3.25		70					3.5
IZ80-65-160	30	8.33	36	2900	4.82	7.5	61	2.5	80	65	65-80	
	50	13.9	32		5.97		73					2.5
	60	16.7	29		6.59		72					3
IZ80-65-160A	28	7.78	31.4	2900	3.93	5.5	61	2.5	80	65	65-80	
	46.8	13	28		4.9		73					2.5
	56	15.6	25.3		5.4		72					3
IZ80-50-200	30	8.33	53	2900	7.87	15	55	2.5	80	50	50-80	
	50	13.9	50		9.87		69					2.5
	60	16.7	47		10.8		71					3
IZ80-50-200A	28	7.78	47	2900	6.66	11	54	2.5	80	50	50-80	
	46.8	13	44		8.25		58					2.5
	56	15.6	41		9		70					3
IZ80-50-250	30	8.33	84	2900	13.2	22	52	2.5	80	50	50-80	
	50	13.9	80		17.3		63					2.5
	60	16.7	75		19.2		64					3
IZ80-50-250A	28	7.78	73	2900	10.9	18.5	51	2.5	80	50	50-80	
	46.8	13	70		14.6		61					2.5
	56	15.6	65		16		61.7					3
IZ100-80-125	60	16.7	24	2900	5.86	11	67	4	100	80	80-100	
	100	27.8	20		7		78					4.5
	120	33.3	16.5		7.28		74					5
IZ100-80-125A	56	15.6	20.3	2900	4.79	7.5	64.8	4	100	80	80-100	
	93.5	26	17		5.73		75.6					4.5
	112	31.7	14		5.95		71.7					4.5
IZ100-80-160	60	16.7	36	2900	8.42	15	70	3.5	100	80	80-100	
	100	27.8	32		11.2		78					4
	120	33.3	28		12.2		75					5
IZ100-80-160A	56	15.6	31.5	2900	6.99	11	69	3.5	100	80	80-100	
	93.5	26	28		9.27		77					4
	114	31.7	24.5		10.3		74					5
IZ100-65-200	60	16.7	54	2900	13.6	22	65	3	100	65	65-100	
	100	27.8	50		17.9		76					3.6
	120	33.3	47		19.9		77					4.8
IZ100-65-200A	56.5	15.7	47.5	2900	11.27	18.5	65	3	100	65	65-100	
	93.5	26	44		14.75		76					3.6
	112.7	31.3	41.4		16.47		77					4.8
IZ100-65-250	60	16.7	87	2900	23.4	37	61	3.5	100	65	65-100	
	100	27.8	80		30.3		72					3.8
	120	33.3	74.5		33.3		73					4.8
IZ100-65-250A	56	15.6	76	2900	19.1	30	61	3.5	100	65	65-100	
	93.5	26	70		24.8		72					3.8
	31.1	31.1	65		27.2		73					4.8
IZ100-65-250B	51.1	14.2	63.3	2900	14.5	22	60	3.5	100	65	65-100	
	85.3	23.7	58.2		18.8		71					3.8
	102.2	28.4	54.2		20.7		72					4.8

安装尺寸图(型带底座泵)
 INSTALLING DIMENSIONS (Type pump with bedplate)

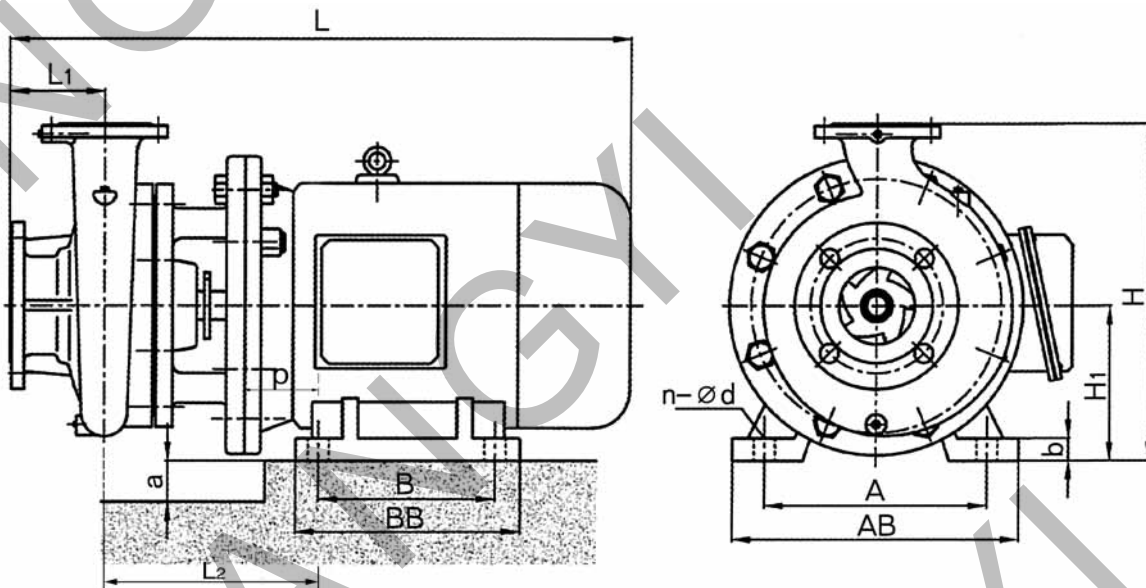


型号 Model	L	L ₁	L ₂	L ₃	L ₃ '	B ₁	B ₂	b	h ₁	h ₂	h ₃	A	C	n - d
IZ50-32-125	461	240	380	70	90	280	320	20	140	183	112	80	155	4-17.5
IZ50-32-160	496	240	380	70	95	320	360	20	160	192	132	80	180	4-17.5
IZ50-32-160A*	460	240	380	70		320	360		160	192	132	80	155	4-17.5
IZ50-32-200	590	320	470	75	87	330	370	22	180	250	160	80	210	4-17.5
IZ50-32-200A	515	320	470	75	87	330	370	22	180	250	160	80	190	4-17.5
IZ50-32-200B	500	240	380	70	95	320	360	20	180	222	160	80	180	4-17.5
IZ50-32-250	770	430	590	80	70	290	330	18.5	225	316	180	100	255	4-17.5
IZ50-32-250A*	620	400	560	80		400	450		225	260	180	100	210	4-17.5
IZ50-32-250B*	620	400	560	80		400	450		225	260	180	100	210	4-17.5
IZ65-50-125	500	280	420	70	80	285	325	20	140	194	112	80	180	4-14
IZ65-50-160	590	320	470	75	80	330	370	22	160	222	132	80	210	4-17.5
IZ65-50-160A	516	240	380	70	95	320	360	20	160	194	132	80	190	4-14
IZ65-40-200	610	320	470	75	80	330	370	22	180	250	160	100	210	4-17.5
IZ65-40-200A	610	320	470	75	87	330	370	22	180	250	160	100	210	4-17.5
IZ65-40-250	770	430	590	80	70	290	330	18.5	225	316	180	100	255	4-17.5
IZ65-40-250A	770	430	590	80	70	290	330	18.5	225	316	180	100	255	4-17.5
IZ65-40-315*	980	450	620	85		440	490		250	290	200	125	310	4-17.5
IZ65-40-315A*	875	450	620	85		440	490		250	290	200	125	285	4-17.5
IZ65-50-130A	565	400	693	150	102	490	540	30	160	212	132	100	210	4-24
IZ80-65-125	615	320	470	75	80	330	370	22	160	222	132	100	210	4-17.5
IZ80-65-125A	545	240	380	70	95	320	360	20	160	194	132	100	190	4-17.5
IZ80-65-160	615	360	520	80	92.5	360	400	22	180	230	160	100	210	4-24
IZ80-65-160A	615	360	520	80	92.5	360	400	22	180	230	160	100	210	4-24
IZ80-50-200	767	400	693	150	102	490	540	30	200	240	160	100	255	4-24
IZ80-50-200A	767	400	693	150	102	490	540	30	200	240	160	100	255	4-24
IZ80-50-250	885	400	693	150	102	490	540	30	225	260	180	125	280	4-24
IZ80-50-250A	855	470	770	150	100	400	456	20	225	330	180	125	255	4-17.5
IZ100-80-125	775	360	520	80	92.5	360	400	22	180	245	160	100	255	4-17.5
IZ100-80-125A	615	360	520	80	92.5	360	400	22	180	230	160	100	210	4-17.5
IZ100-80-160	774	400	693	150	102	490	540	30	200	240	160	100	255	4-24
IZ100-80-160A	774	400	693	150	102	490	540	30	200	240	160	100	255	4-24
IZ100-65-200	855	400	700	150	102.5	400	450	30	225	260	180	100	280	4-22
IZ100-65-200A	829	400	693	150	102	490	540	30	225	260	180	100	255	4-24
IZ100-65-250	974	540	750	100	85	440	490	20	250	320	200	125	305	4-18
IZ100-65-250A	974	540	750	100	85	440	490	20	250	320	200	125	305	4-18
IZ100-65-250B*	874	540	750	100		440	490		250	320	200	125	285	

* 未做过

安装尺寸图(型不带底座泵)

INSTALLING DIMENSIONS (Type pump without bedplate)



型号 Model	L	L ₁	L ₂	B	BB	p	a	A	AB	b	H	H ₁	n- d
IZ50-32-125	461	80	142	125	155	56	50	140	180	12	230	90	4-10
IZ50-32-125A	436	80	142	100	130	56	50	140	180	12	230	90	4-10
IZ50-32-160	501	80	159	140	176	63	70	160	205	14	260	100	4-12
IZ50-32-160A	460	80	141	125	155	56	70	140	180	12	250	90	4-10
IZ50-32-200	590	80	209	140	200	89	50	216	270	18	312	132	4-12
IZ50-32-200A	515	80	165	140	180	70	70	190	230	15	292	112	4-12
IZ50-32-200B	500	80	158	140	176	63	80	160	205	14	280	100	4-12
IZ50-32-250	770	100	273	210	270	108	50	254	320	20	385	160	4-15
IZ50-32-250A*	620	100		140	205		80	216	280	20	357	132	4-12
IZ50-32-250B*	620	100		140	205		80	216	280	20	357	132	4-12
IZ65-50-125	500	80	158	140	176	63	50	160	205	14	240	100	4-12
IZ65-50-160	590	80	209	140	200	89	50	216	270	18	292	132	4-12
IZ65-50-160A	516	80	166	140	180	70	70	190	230	15	272	112	4-12
IZ65-40-200	610	100	209	140	200	89	50	216	270	18	312	132	4-12
IZ65-40-200A	610	100	209	140	200	89	50	216	270	18	312	132	4-12
IZ65-40-250	710	100	273	210	270	108	50	254	320	20	385	160	4-15
IZ65-40-250A	710	100	273	210	270	108	50	254	320	20	385	160	4-15
IZ65-40-315*	980	125		305	380		50	318	395	27	450	200	4-19
IZ65-40-315A*	875	125		241	315		50	379	355	24	430	180	4-15
IZ80-65-125	615	100	214	140	200	89	50	216	270	18	292	132	4-12
IZ80-65-125A	545	100	175	140	180	70	60	190	230	15	272	112	4-12
IZ80-65-160	615	100	214	140	200	89	50	216	270	18	312	132	4-12
IZ80-65-160A	615	100	214	140	200	89	50	216	270	18	312	132	4-12
IZ80-50-200	767	100	270	210	270	108	50	254	320	20	360	160	4-15
IZ80-50-200A	767	100	270	210	270	108	50	254	320	20	360	160	4-15
IZ80-50-250*	885	125	291	241	311	121	60	279	355	22	405	180	4-15
IZ80-50-250A*	855	125	278	254	314	108	80	254	320	20	385	160	4-15
IZ100-80-125	775	100	278	210	270	108	50	254	320	20	340	160	4-15
IZ100-80-125A	615	100	214	140	200	89	60	216	270	18	312	132	4-12
IZ100-80-160	774	100	277	210	270	108	50	254	320	20	360	160	4-15
IZ100-80-160A	774	100	277	210	270	108	50	254	320	20	360	160	4-15
IZ100-65-200*	855	100	286	241	311	121	50	279	355	22	405	180	4-15
IZ100-65-200A*	829	100	277	254	314	108	70	254	320	20	385	160	4-15
IZ100-65-250*	974	125	322	305	379	133	50	318	395	25	450	200	4-19
IZ100-65-250A*	974	125	322	305	379	133	50	318	395	25	450	200	4-19
IZ100-65-250B*	874	125		241	315		70	279	355		430	180	4-15

* 未做过

说明：泵的出水口方向可以根据需要作出相应的旋转。

Note: The outlet of this pump may be relevantly circumrotated to meet the needs.

法兰尺寸表

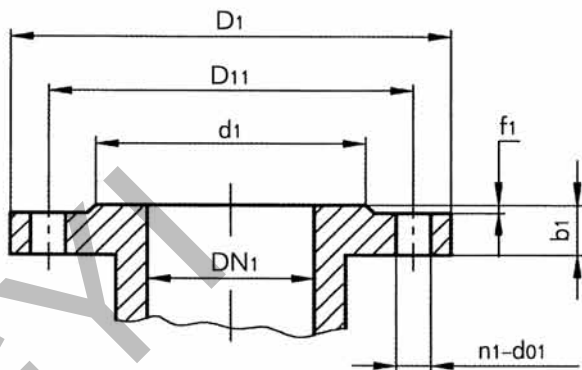
TABLE OF FLANGE DIMENSIONS

单位:mm

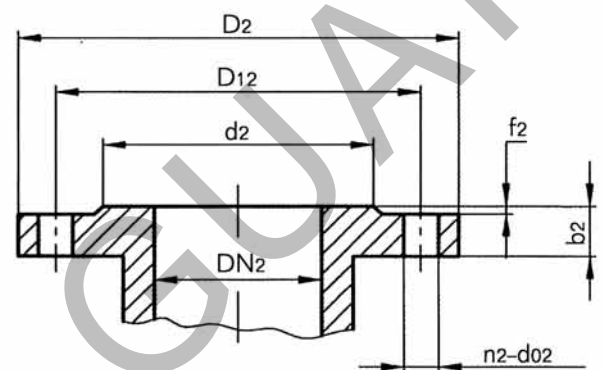
型号 Model	吸入口法兰尺寸 Fnlet flange dimension							排出口法兰尺寸 Dischance flange dimension						
	DN ₁	D ₁	D ₁₁	d ₁	b ₁	f ₁	n ₁ -do ₁	DN ₂	D ₂	D ₅	d ₂	b ₂	f ₂	n ₂ -do ₂
IZ50-32-125	50	165	125	102	20	3	4- 17.5	32	140	100	78	18	3	4- 17.5
IZ50-32-160														
IZ50-32-200														
IZ50-32-250														
IZ65-50-125	65	185	145	122	20	3	4- 17.5	50	165	125	102	20	3	4- 17.5
IZ65-50-160														
IZ65-40-200														
IZ65-40-250														
IZ80-65-125	80	200	160	133	22	3	8- 17.5	65	185	145	122	20	3	8- 17.5
IZ80-50-160														
IZ80-50-200														
IZ80-50-250														
IZ100-80-125	100	220	180	158	24	3	8- 17.5	80	200	160	133	22	3	8- 17.5
IZ100-80-160														
IZ100-65-200														
IZ100-65-250														

法兰尺寸图

Drawing of Flange Dimensions



吸入口法兰
Inlet flange



排出口法兰
Dischance flange

运行 OPERATIONS

起动

泵工作旋转方向从驱动端往泵方向应为顺时针方向。应在机泵运行前确定电动机的旋转方向是否正确，泵的转动是否灵活。

关闭吐出管路的闸阀。

向泵内灌满水，或用真空泵引水。

接通电源，当泵达到正常转速后，再逐渐打开吐出管路上的闸阀，并调节到所需要的工况。在吐出管路上的闸阀关闭情况下，泵连续工作的时间不能超过3分钟。

START - UP

It should be clockwise when the pump goes round from the start side to the pump;

Make sure the revolving of electromotor is proper and the pump is turned neatly before the pump is start up;

Turn off the valve controlled for the pipeline;

Pump is fill in water or lead in water to the vacuum pump;

Connect the power supply, open the valve once the pump achieves to be turned properly then adjust to the condition you need. The pump could not work continuously over 3mins when the valve is turned off.

停止

逐渐关闭吐出管路上的的闸阀，切断电源。

如环境温度低于0℃，应将泵内的水放出，以免冻裂泵体。

如长期停止使用，应将泵拆卸上油，包装保管。

PAUSE

Turn off the valve gradually and cut off the power supply;

When the environment temperature is lower than 0℃, the water should be put out from the pump in order the pump casing will not be frozen to be cracked;

If not in use for a long time, the pump should be disassembled, oiled and packed carefully.

运转

在开车及动转过程中，必须注意观察仪表读数，轴承发热，轴封漏水和发热及振动和杂音等是否正常，如果发现异常情况，应即时处理。

轴承温度最高不高于80℃，轴承温度不得超过周围温度40℃。

如密封环与叶轮配合部位磨损过大应更换新的密封环。

WORK

When driving and operating, should pay attention to the reading of meters, to check if the bearing fever heated, shaft seal leaked & heated and the normal of vibration and cacophony. Anything abnormal, it should take action at once.

The maximum temperature of bearing can not high then 80℃, the surrounding temperature is not allowed to be over 40℃.

The new cashing ring should be changed if there is damaged and worn part with the cashing ring and impeller.

注意事项

严禁机器干转，以免损坏轴封。

应定期检查轴承。

泵的管路应有自己的支架，不允许管路的重量加在水泵上，避免把泵压坏。

吸水管要每台泵单独安装，而且尽可能短，弯部少。

泵用不同的材质制造，承压也不同，工作压力必须与泵的承压相适应。

输送非清水类介质时，请提供介质的物理、化学性质与供方协商以确定所选择的泵是否适用，包括泵体和轴封的材质。

水泵机组与电源之间的配线及线路维护必须由专业资格的人员进行作业。

WARNING

Do not let the pump run dry, this could cause damages to the appliance;

Check the bearing regularly;

The pump should have its bracket. In order not to press the pump out, it's not allow the weight of pipeline add to it;

The absorbing pipe should be installed to each pump, and require as short as possible, few crooks;

The bearing of weight is different as the pump is made by different materials. The working pressure should be accommodated with the bearing of the pump;

When transition of the medium, please provide its characteristic of chemical and physical and verify with the supplier if the pump you chose is applicable in which including the pump casing and the material of shaft;

The wiring and the circuit which between the pump unit and power supply should be maintained by the qualified professional.

可能出现的故障及解决办法

故障	原因	排除方法
泵不出水，压力表及真空表指针剧烈跳动。	注入泵的水不够，进水管漏气。	再往泵内注水，堵塞漏气处。
泵不吸水，但真空表显示高度真空。	底阀没打开或堵塞，吸水管阻力太大，吸水高度太高。	校平或更换底阀，清洗或更换吸水管，降低吸水高度。
泵不出水，压力表显示有压力。	泵轴旋转方向不对，出水管阻力太大，叶轮淤塞，转数不够。	改正转向，检查水管长度，清洗叶轮，增加转数。
泵流量减少或扬程下降。	叶轮或管路阻塞，密封环或叶轮磨损严重，转数低于规定值。	清洗叶轮或管路，更换损坏的零件，调整到规定的转数。
泵消耗的功率过大。	叶轮与密封环磨损，流量过大。	消除机械摩擦，关小出水闸阀。
泵内声音反常，吸不上水。	吸水高度过高，吸水管漏气，流量过大，发生汽蚀。	减少吸水高度，堵塞漏水处，调节出水闸阀在规定工况使用。
泵振动厉害	泵发生汽蚀，叶轮不平衡地脚螺栓松动。	消除汽蚀，叶轮校平衡，拧紧地脚螺栓。
轴承过热。	润滑油不足或过多或变质。	检查电机轴承，清洗轴承并换油。

EXCEPTION HANDLES

Malfunction	Reason	Solution
Water could not come out from the pump, pressure meter and vacuum meter are vibrating acutely.	Water is the pump is not enough, the suction leaks.	Fill in the water to the pump and plug up leak.
The pump can not absorb the water, but vacuum meter shows high vacuum	The bottom valve is not opened or plugged, absorbing, resistance are too large, absorbing too high	Checkout or change the bottom valve, clean or change the absorbing, lower the height of absorbing.
Water could not come out from the pump, it shows the pressure at the pressure meter.	The turn direction of shaft is incorrect, too large of the resistance of the discharging pipe, leak from the impeller, speed not enough.	Correct the direction, check the length of pipe, clean the impeller and increase the speed.
Reduce from the Capacity or head of the pump.	The impeller or Piping is blocked, casing ring or impeller is damaged terribly, the speed is lower than normal.	Clean the impeller or piping, change the damaged component and adjust the speed to normal.
The pump is used up which cause the power is too high	The impeller and casing ring are damaged, too large from the capacity	Avoid the mechanical friction, closer valve for the water out
The voice from the pump is abnormal, can not absorb the water	Absorbing is too high, absorbing pipe leak, capacity is too large.	Lower the absorbing, block the leaking place, adjust the valve for water out to be used under stated working condition
The pump is vibrating acutely.	Steam cauterization on the pump, impeller is not balancing and the bolt become flexible	Eliminate the steam cauterization, balance the impeller, fast the bolt.
The shaft is too heat	The lube is less or more or it metamorphoses.	Check the shaft of motor, clean it and change the lube.



广州市第一水泵厂 广州广一泵业有限公司
GUANGZHOU NO.1 PUMP FACTORY GUANGZHOU GUANGYI PUMP INDUSTRY CO.LTD.

全国统一服务热线 400 604 3398

地址：广州市科韵南路133号

销售部电话：(020) 66834613
66834616
66834618

技术咨询：(020) 66834627

维修部电话：(020) 66834630
66834631

服务投诉：(020) 66834612
传 真：(020) 66834619
66834629

E - mail : sales@gygc.cn

网址URL : <http://www.gygc.cn>

说明书内容如有改动，恕不另行通知
All specifications subject to change without notice

IZ201110-