

XJ -6730M 17" TFT LCD Industrial Portable Computer



Feature

- ▶ 17" TFT LCD 1024 (H) x 768 (V)
- ▶ Onboard A/D Board
- ▶ Support ATX Mainboard
- ▶ Light-Weight Aluminum Alloy Chassis

Specifications:

> LCD Size	17" TFT LCD
> Max.Resolution	1280 (H) x 1024 (V)
> Brightness	250 cd/m ²
> LCD Color	16.7 M
> Pixel Pitch	0.297 (H) x 0.297 (V) mm
> Contrast Ratio	1000 :1 (Typ.)
> Inbuilt Expansion	ATX Mainboard (Optional)
> Drive Bay	External: 2 x 5.25", 2 x 3.5"; Internal: 1 x 3.5"
> Anti-vibration	1 x 3.5" Drive Anti-vibration kit
> Keyboard / Touch Pad	104 Key windows compliant keyboard, built-in touch pad
> Power Supply	PS/2 ATX 400W, AC Input 100-250V (Auto switch) (Optional)
> Carry Trolley	Shipped with Carry Trolley

Mechanical & Environment:

> Construction Chassis	Light-Weight Aluminum Alloy Chassis
> Color	Black
> Dimensions(W x H x D)	508 x 421 x 253 mm
> Weight(N.W./G.W.)	16.1 kg (N.W.)
> Operating Temperature	0 ~ +50 °C
> Storage Temperature	-20 ~ +60 °C
> System Fan	One chassis fan 8 x 8 (cm)

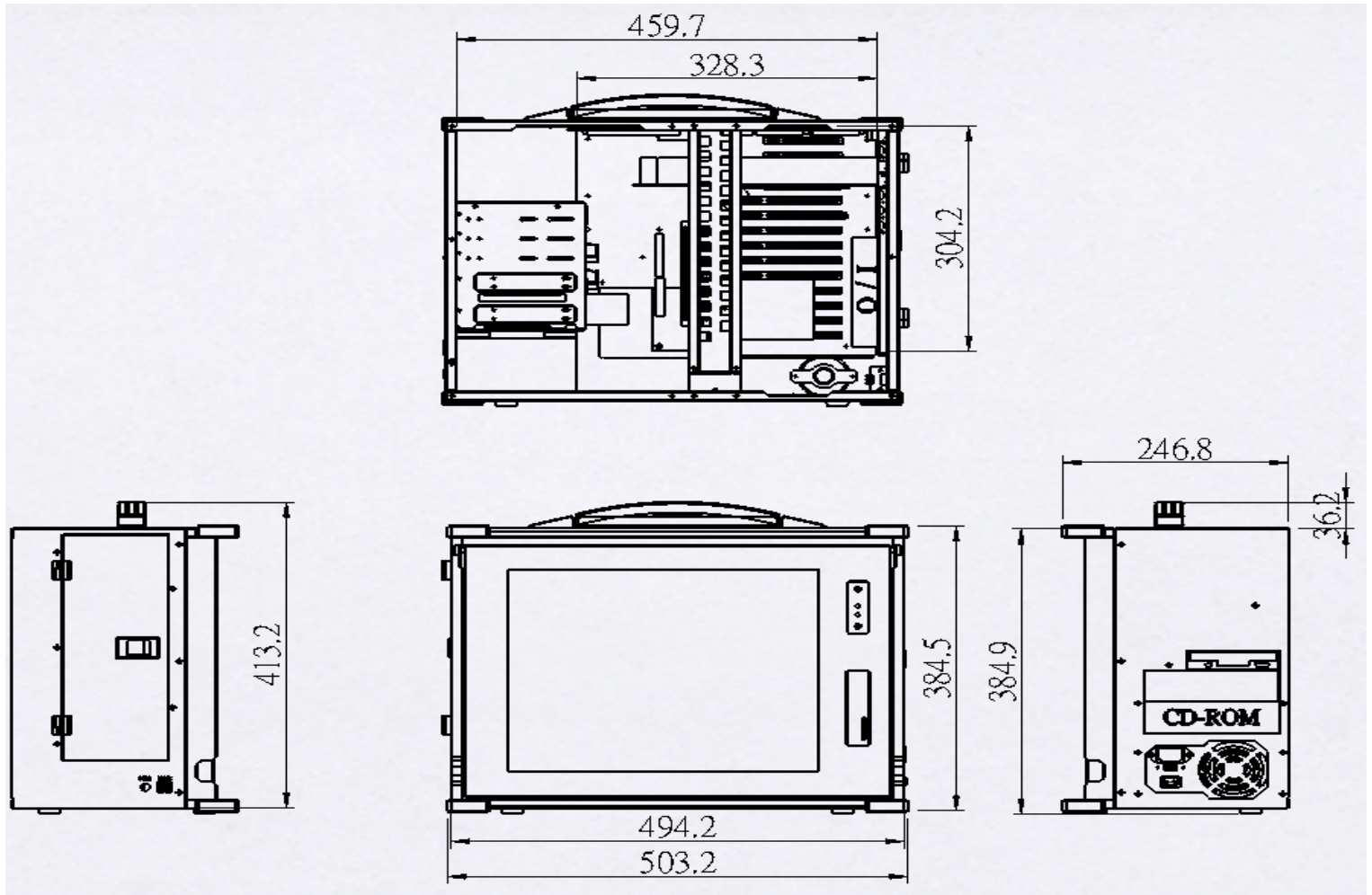
Ordering Information:

XJ -6 730M	17" TFT LCD Industrial Portable Computer, Support ATX Mainboard
------------	---

订购信息

XJ-6730M-R10	主板：XJ-ATXGM45-R10	处理器：志强2.8GHz	内存：2GHz	硬盘：500G	光驱：DVD
XJ-6730M-R11	主板：XJ-ATXH610-R10	处理器：i系列、G系列	内存：4GHz	硬盘：500G	光驱：DVD
XJ-6730M-R12	主板：XJ-ATX945-R11	处理器：版贴P8800	内存：4GHz	硬盘：500G	光驱：DVD
XJ-6730M-R13	主板：XJ-ATXH61-R10	处理器：i系列、G系列	内存：4GHz	硬盘：500G	光驱：DVD
XJ-6730M-R14	主板：XJ-ATXG41-R10	处理器：E5300/E7400	内存：2GHz	硬盘：500G	光驱：DVD

XJ -6730M 17" TFT LCD Industrial Portable Computer



Unit: mm

* The specification and pictures are subject to change without notice.