

# System Components *minipac*

## Protective housing IP 55 and symmetrical rails for instruments in Minipac design



Protective housing with  
100 mm Minipac unit



Protective housing with  
two 50 mm Minipac units

### Protective Housing for Field Installation

For field installation of Minipac instruments, Endress+Hauser supply a protective housing with room for either one wide or two small Minipacs. An overvoltage protection device or a small contactor can be installed beside a small Minipac instrument.

The low-priced, light plastic housing offers ideal protection against dust, moisture or an aggressive environment. The instrument functions can be read easily through the large transparent cover. A large number of cable ducts facilitates connection and sealing. The protective housing is fitted with two blue cable ducts for connections from instruments with intrinsically safe signal circuits.

The housing should be installed in a shady position. The temperature inside the protective housing may not exceed 60 °C (140°F).

### Standard Symmetrical Rail

If you want to install individual instruments and have no standard rail, Endress+Hauser supply short rails for wall mounting to EN 50022 - 35x7.5.

The degree of protection of Minipac instruments is IP 40, for the terminals IP 20. Take care, therefore to provide sufficient protection against dampness, dust and touch.

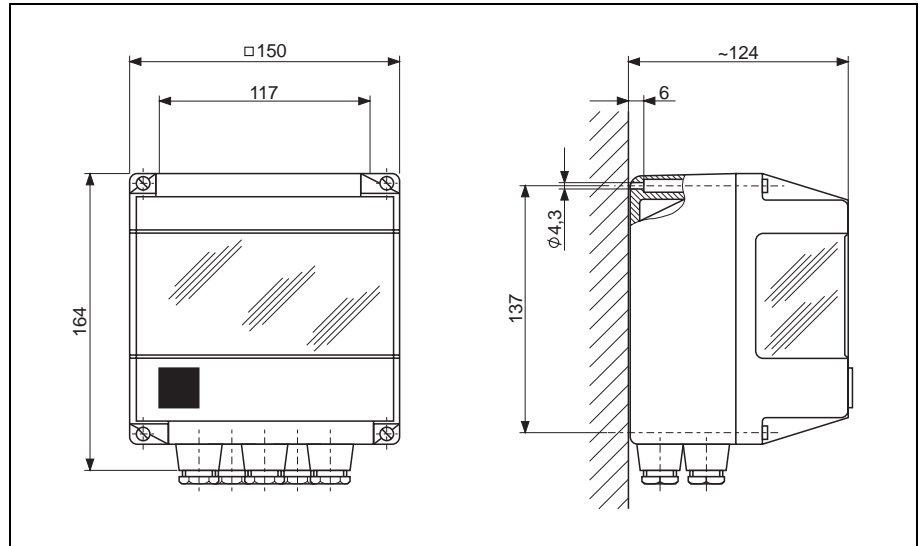
Endress + Hauser

Nothing beats know-how



## Protective Housing

Dimensions in mm of protective housing



### Technical Data

- Protection (DIN 40050): IP 55
- Lower part of housing: ABS, black
- Upper part of housing: transparent PMMA, impact-resistant
- Cover screws: Corrosion and acid resistant steel
- Cable ducts\*: 5xPG 16, grey or 2 x PG 16, blue and 3xPG 16, grey (please state when ordering)
- Permissible ambient temperature: -20 °C ... +50 °C (-4°F...+122°F)

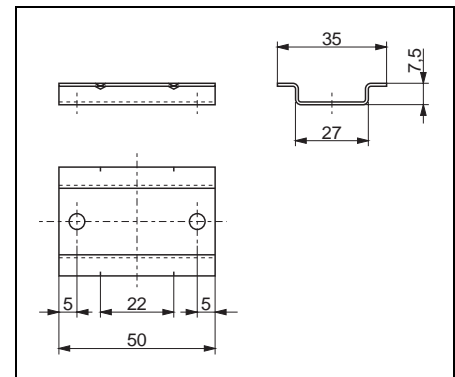
## Symmetrical (Top Hat) Rail

### Technical Data

- Design: top hat rail to EN 50022 - 35x7.5, symmetrical
- Material: gvanized steel
- Length: 50 mm for one narrow Minipac instrument or 100 mm for one wide Minipac instrument

Subject to modification

Dimensions in mm of 50 mm mounting rail



## How to Order

Minipac Protective Housing	Order No. 917081-0000
Symmetrical Rail (50 mm)	Order No. 917256-0000
Symmetrical Rail (100 mm)	Order No. 917256-0001

Endress+Hauser  
GmbH+Co.  
Instruments International  
P.O. Box 2222  
D-79574 Weil am Rhein  
Germany

Tel. (07621) 975-02  
Tx 773926  
Fax (07621) 975345  
<http://www.endress.com>

Endress + Hauser  
Nothing beats know-how

