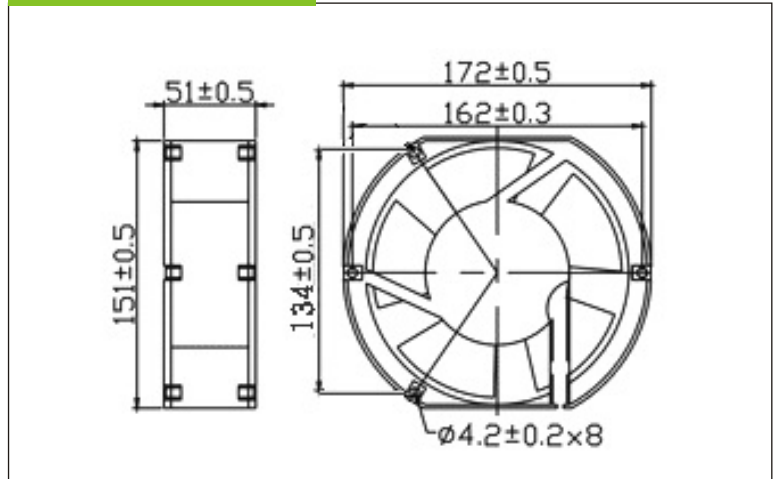


STORM AC AXIAL FAN 172x150x51mm Series



Dimensions (mm)



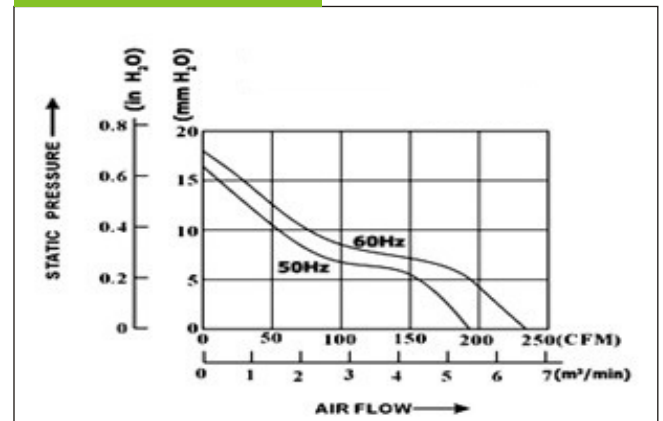
CONSTRUCTION:

- *Die-cast aluminum housing
- *Glass fiber reinforced plastic:
Impeller are UL94-0 rating
- *Impedance portected
- *leader wire or terminal is available

OPERATING TEMPERATURE:

- *Ball bearing -30°C to +75°C
- *Sleeve bearing -10°C to +70°C

Performance Ccurve



Model	Spec	RATED (VDC)	FREQ. (Hz)	CURRT (Amp)	POWER (Watts)	SPEED (Rpm)	AIR FLOW (CFM)	PRESSURE (In H ₂ O)	NOISE (dB-A)	Weight (g)
SA17251HB-11K		100/120	50/60	0.50/0.45	27/36	2700/3100	190/235	5.37/6.65	45/50	908
SA17251HB-22K		200/240	50/60	0.22/0.21	34/33	2700/3200	190/235	5.37/6.65	45/50	908