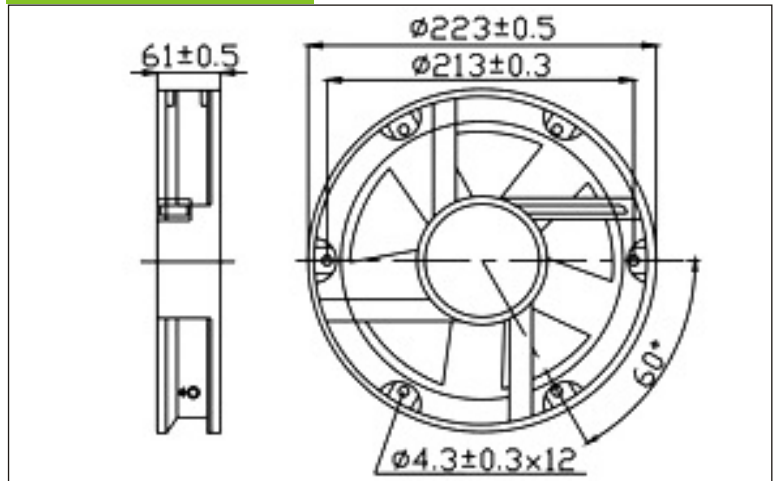


## STORM AC AXIAL FAN $\Phi 220 \times 60 \text{mm}$ Series



### Dimensions (mm)



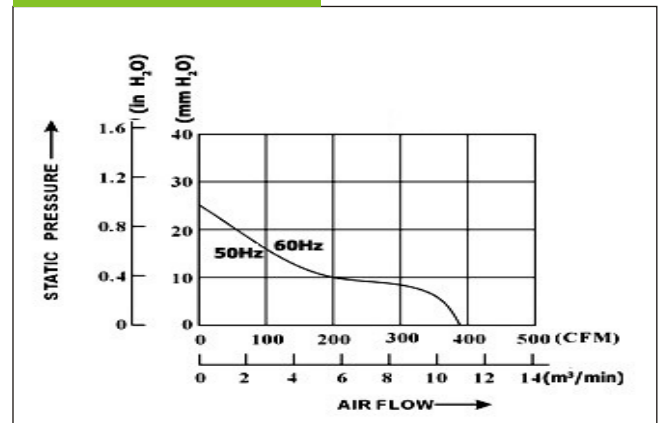
### CONSTRUCTION:

- \*Die-cast aluminum housing
- \*Glass fiber reinforced plastic: Impeller are UL94-0 rating
- \*Impedance portected
- \*leader wire or terminal is available

### OPERATING TEMPERATURE:

- \*Ball bearing  $-30^{\circ}\text{C}$  to  $+75^{\circ}\text{C}$
- \*Sleeve bearing  $-10^{\circ}\text{C}$  to  $+70^{\circ}\text{C}$

### Performance Curve



Model	Spec	RATED (VDC)	FREQ. (Hz)	CURRT (Amp)	POWER (Watts)	SPEED (Rpm)	AIR FLOW (CFM)	PRESSURE (In H <sub>2</sub> O)	NOISE (dB-A)	Weight (g)
SA22060HB-11K		100/120	50/60	0.90/080	63	2500/2800	320/380	0.70/0.85	61/65	1690
SA22060HB-22K		200/240	50/60	0.48/0.42	68	2500/2800	320/380	0.70/0.85	61/65	1690