

## Conductivity Transmitter



Type 8222 can be combined with...



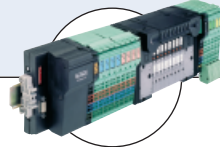
**Type 6642**  
Solenoid valve



**Type 8802-DF**  
Diaphragm valve  
with control unit



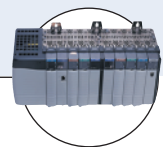
**Type 2030**  
On/Off Diaphragm  
valve



**Type 8644**  
Valve islands



**Type 8620**  
Cooling Tower or boiler  
chemistry controller



**PLC**

- Programmable outputs: two transistor and single or dual analog 4-20 mA
- Removable backlighted display
- Universal process connection
- Three cell constants for covering a wide measuring range
- Diagnostic functions

The Bürkert transmitter Type 8222 is a compact device designed for measuring the conductivity of fluids.

The transmitter consists of a sensor, plugged-in and pinned to an enclosure with cover, containing the the electronic module and a removable display. The sensor comprises a cell with two electrodes and a Pt1000 temperature probe. The sensor itself is available with three different cell constants C, these with C=0.01 or 0.1 are fitted with stainless steel electrodes and those with C=1.0 are fitted with graphite electrodes.

The conductivity transmitter can operate independent of the display but it will be required for programming the transmitter (i.e. selection of sensor cell constant, language, measuring range, engineering units, calibration...) and also for visualizing continuously the measured and processed data.

The device Type 8222 is available:  
- with three fully programmable outputs: two transistor and one 2-wire 4-20 mA current outputs  
- with four fully programmable outputs: two transistor and two 3-wire 4-20 mA current outputs.

The electronics of Type 8222 converts the measured signal, displays different values in different physical units (if display mounted) and computes the output signals, which are provided via one or two M12 fixed connectors.

### Technical data (Pipe + transmitter)

<b>Pipe diameter</b>	DN25 to DN110 (DN<25 with reduction)
<b>Conductivity measurement</b>	
Measuring range	0.05 µS/cm... 10 mS/cm
Resolution	1 nS/cm
Accuracy	± 3% of measured value
<b>Temperature measurement</b>	
Measuring range	-40 to +130°C (-40 to 266°F)
Internal resolution	0.1°C (0.18°F)
Accuracy	± 1°C (1.8°F)
Minimal temperature range	10°C (i.e 10 to 20°C (50 to 68°F) corresponding to 4-20 mA)
<b>Temperature compensation</b>	none or according to a predefined graph (NaCl or ultra pure water) or according to a graph defined especially for your process
<b>Medium temperature</b>	
with G1½" PVC nut connection	0 up to 50°C (32 to 122°F)
with G1½" PVDF nut connection	-20 up to 100°C (-4 to 212°F) restricted by the used adaptor restriction with adaptor S022 in: - PVC: 0 up to 50°C (32 to 122°F) - PP: 0 up to 80°C (32 to 176°F) - Metal: -20 up to 100°C (-4 to 212°F)
<b>Fluid pressure max</b>	PN16 (232 PSI) (see pressure / temperature chart)

### Environment

<b>Ambient temperature</b>	-10 to +60°C (14 to 140°F) (operating and storage)
<b>Relative humidity</b>	≤ 85%, without condensation

## 8222 ELEMENT

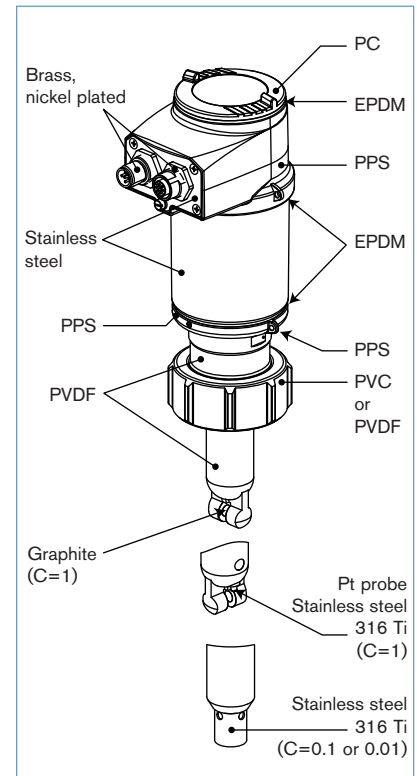
**bürkert**

Electrical data	
<b>Power supply</b>	
3 outputs transmitter (2-wire)	14-36 V DC, filtered and regulated
4 outputs transmitter (3-wire)	12-36 V DC, filtered and regulated
<b>Current consumption</b> with sensor	≤ 1 A (with the 2 transistors loads)
3 outputs transmitter (2-wire)	≤ 25 mA (at 14 V DC without transistors load, with current loop)
4 outputs transmitter (3-wire)	≤ 5 mA (at 12 V DC without transistors load, without current loop)
<b>Reversed polarity of DC</b>	Protected
<b>Voltage peak</b>	Protected
<b>Short circuit</b>	Protected for transistor outputs
<b>Output</b>	
Transistor	configurable as sourcing or sinking (respectively both as PNP or NPN), open collector max. 700 mA, 0.5 A max. per transistor if the 2 transistor outputs are wired output NPN: 0.2-36 V DC output PNP: V+ power supply
Current	4-20 mA programmable as sourcing or sinking,
3 outputs transmitter (2-wire)	max. loop impedance: 1100 Ω at 36 V DC; 610 Ω at 24 V DC; 180 Ω at 14 V DC
4 outputs transmitter (3-wire)	configurable in the same mode as transistor: sourcing or sinking, max. loop impedance: 1100 Ω at 36 V DC; 610 Ω at 24 V DC; 100 Ω at 12 V DC
Response time (10% - 90%)	150 ms (standard)

General data	
<b>Compatibility</b>	Any pipe which are fitted out with Bürkert adaptor S022 (see separate data sheet)
<b>Materials</b>	See exploded view, opposite
Housing / cover	Stainless steel 1.4561, PPS / PC
Seals / Screws	EPDM / Stainless steel
Fixed connector mounting plate	Stainless steel
Fixed connector	Brass nickel plated
Display / navigation key	PC / PBT
Nut	PVC or PVDF
Wetted part materials	
Conductivity sensor	PVDF, stainless steel 1.4571 (316Ti)
Electrode	Stainless steel 1.4571 (316Ti) for cell constant C=0.01 or C=0.1 or graphite for cell constant C=1.0
<b>Temperature sensor</b>	Pt1000 (316Ti) integrated in the sensor
<b>Display (accessories)</b>	Grey dot matrix 128x64 with backlighting
<b>Electrical connections</b>	
3 outputs transmitter (2-wire)	1x 5-pin M12 male fixed connector,
4 outputs transmitter (3-wire)	1x 5-pin M12 male + 1x 5-pin M12 female fixed connectors
<b>Connection cable</b>	Shielded cable

Standards, directives and approvals	
<b>Protection class</b>	IP65 and IP67 with M12 cable plug mounted and tightened and cover fully screwed down
<b>Standard and directives</b>	EN 61000-6-2, EN 61000-6-3 Complying with article 3 of §3 from 97/23/CE directive.* EN 60068-2-6 / EN 60068-2-27
<b>Approvals</b>	61010-1 + CAN/CSA-C22 No.61010-1
UL-Recognized for US and Canada	

## Materials view



\* For the 97/23/CE pressure directive, the device can only be used under following conditions (depend on max. pressure, pipe diameter and fluid).

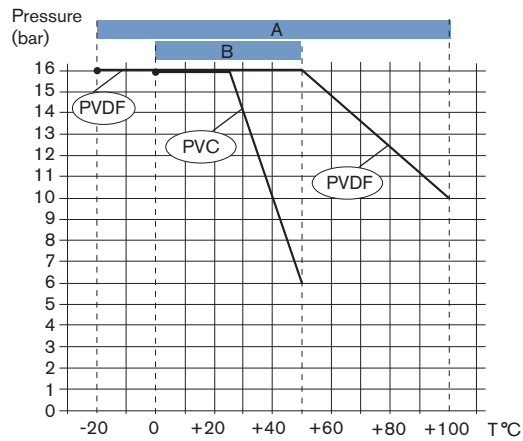
Type of fluid	Conditions
Fluid group 1, §1.3.a	Only DN25
Fluid group 2, §1.3.a	DN ≤ 32, or DN > 32 and PN*DN ≤ 1000
Fluid group 1, §1.3.b	DN ≤ 25, or DN > 25 and PN*DN ≤ 2000
Fluid group 2, §1.3.b	DN ≤ 125

Pressure / temperature chart

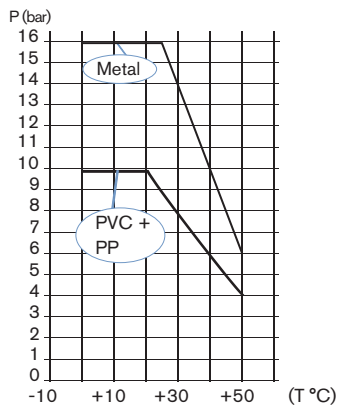
Application range of a 8222  
ELEMENT transmitter:

- A: with PVDF nut
- B: with PVC nut

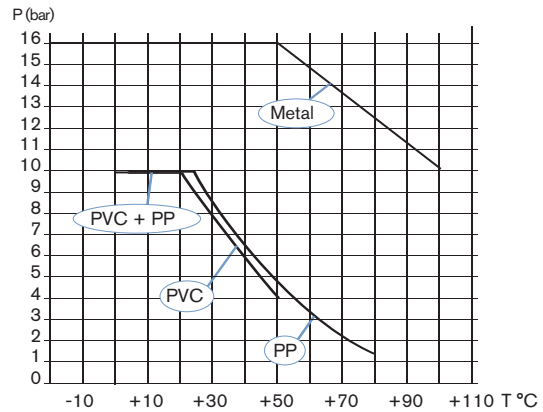
The measures have been made at an ambient temperature of 60°C.



Application range of a 8222  
ELEMENT transmitter  
with **PVC nut** with S022 adaptor

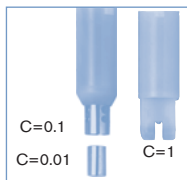


Application range of a 8222  
ELEMENT transmitter  
with **PVDF nut** with S022 adaptor



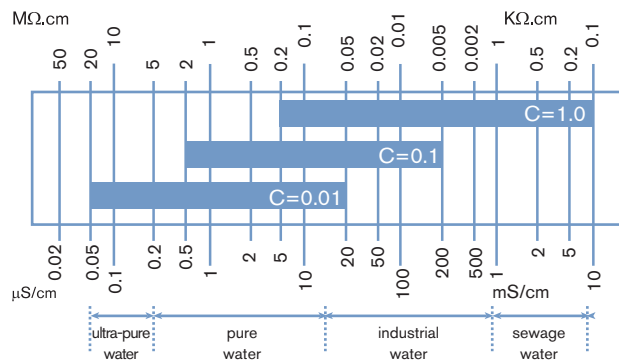
Principle of operation

Conductivity is defined as the ability of a solution to conduct electrical current. The load carriers are ions (E.G. dissolved salt or acids). In order to measure conductivity two electrodes are used which are set at a fixed distance apart and with a known specified surface. An AC voltage source is connected to the electrodes. The measured current is a direct function of the conductivity of the solution. The transmitter is a two-wire device (single transmitter version) or a three-wire device (dual transmitter version) and requires a power supply of 14 V DC (single transmitter version) or 12 V DC (dual transmitter version) up to 36 V DC.



The conductivity transmitter can be fitted with 3 different sensors with cell constants 0.01, 0.1 or 1.0.

The sensor is selected according to the measuring range and medium by using the table opposite.



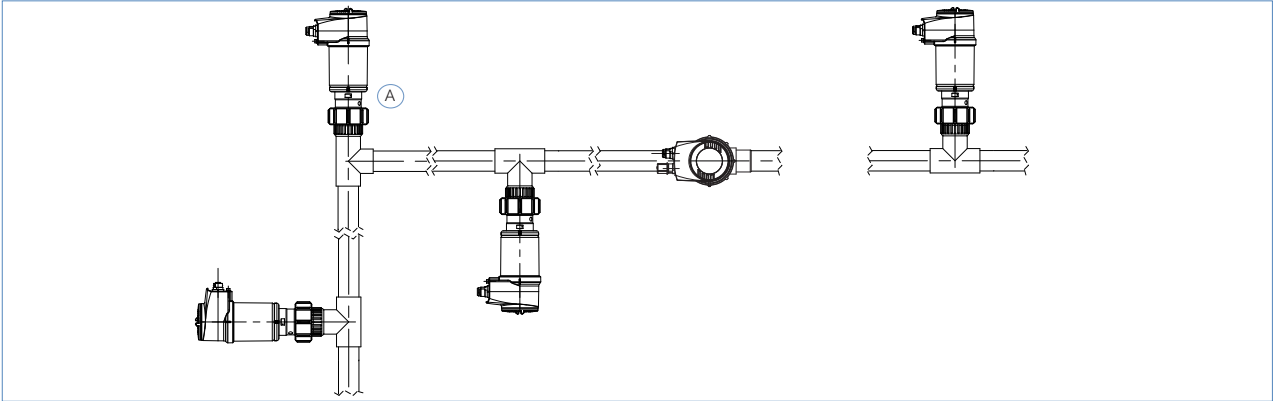
**Installation**

The 8222 conductivity transmitter can be installed into any adaptor with G 1 1/2" external threaded sensor connection by just fixing the main nut. Select and install the required adaptor onto the pipe according to specific requirements of the sensor and material (temperature and pressure).

For mounting on a tank or direct mounting on a pipe (DN100 and DN110), an adaptor with a G 1 1/2" external threaded sensor connection must be used. Install cautiously the transmitter on the fitting. The transmitter can be installed in any position (**prefer "A" mounting to install a 8222 with sensor C=0.1 or C=0.01**).

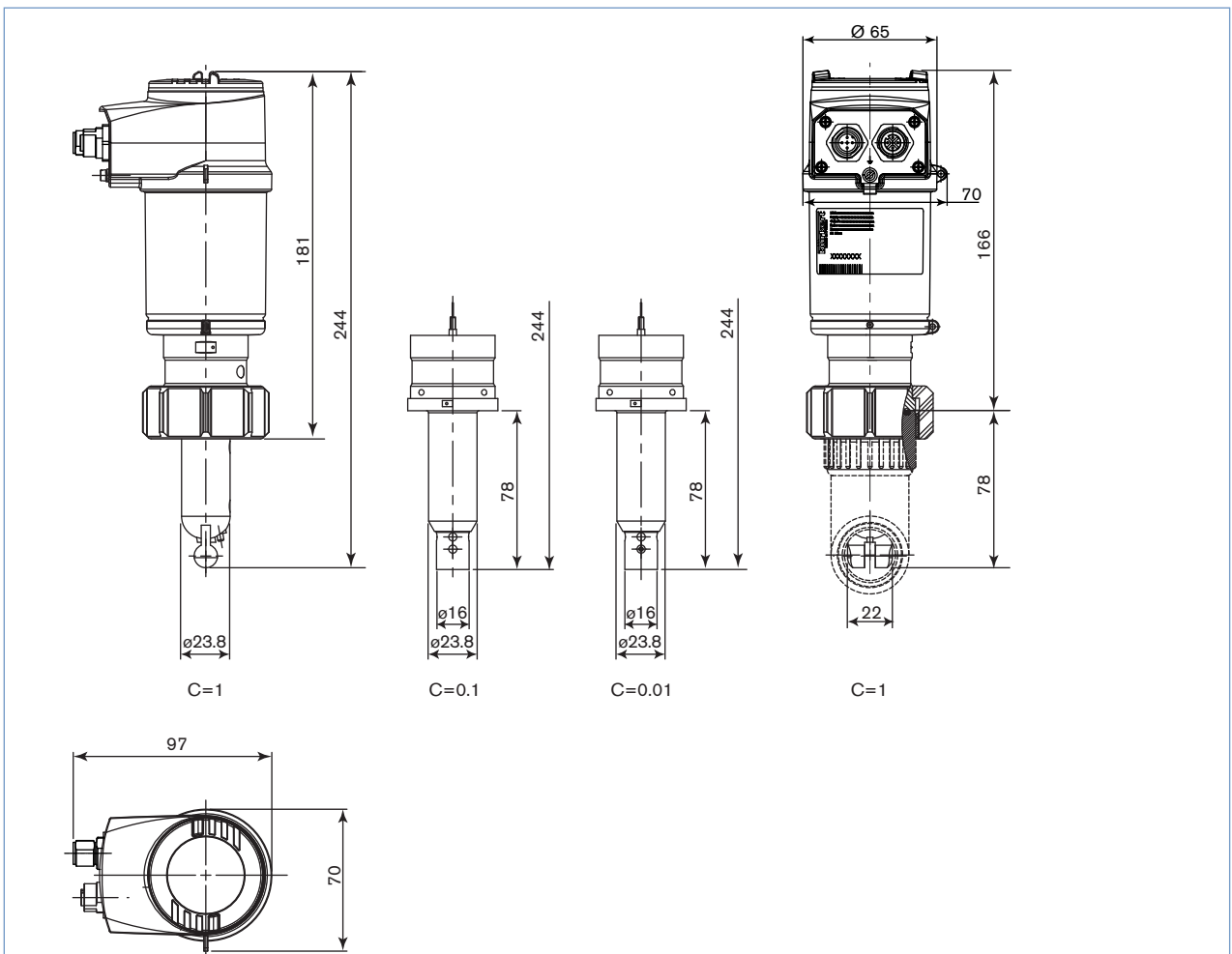
In order to get reliable measurement air bubbles must be avoided.

**Please ensure that the mounting location provides a continuous and complete immersion of the sensor in the flow stream.**



The transmitter must be protected from constant heat radiation and other environmental influences, such as direct exposure to sunlight.

**Dimensions [mm] of transmitter Type 8222**



## Ordering information for compact transmitter Type 8222

A complete compact conductivity ELEMENT transmitter Type 8222 consists of a compact conductivity ELEMENT transmitter Type 8222, a removable display/programmer and a Bürkert INSERTION adaptor Type S022 (with G1½" external threaded sensor connection).

The following information is necessary for the selection of a complete device:

- **Item no.** of the desired conductivity ELEMENT transmitter **Type 8222** (see ordering chart on p. 6)
- **Item no.** of the a removable display/programmer (see accessories ordering chart on p. 7)
- **Item no.** of the selected INSERTION adaptor **Type S022 with G1½" external threaded sensor connection** (see separate data sheet)

→ You have to order two or three components.




**Attention!**

When you order devices without display, please take care that you also order at least one display module for the operation.  
Order no. of the removable display / programming module, see ordering chart on p. 7.

When you click on the orange box "More info." below, you will come to our website for the resp. product where you can download the data sheet.


**Example**

**Compact transmitter Type 8222  
without display**




+

**Removable display/programmer**




**INSERTION adaptor Type S022**



More info.

**Complete ELEMENT transmitter  
for conductivity measurement  
Type 8222**



Fitting (example only)

Ordering chart for compact transmitter Type 8222





Conductivity transmitter Type 8222

Specifications	Voltage supply	Output	Sensor version	Nut material	Electrical connection	UL Recognition	Item no.
Compact transmitter without display	14-36 V DC	2 x transistors + single 4-20 mA for process conductivity only	C=0.01	PVC	5-pin M12 male fixed connector	No	559 618
				UL-Recognized		562 394	
			PVDF	5-pin M12 male fixed connector	No	559 620	
					UL-Recognized	562 396	
			C=0.1	PVC	5-pin M12 male fixed connector	No	559 614
						UL-Recognized	559 624
			PVDF	5-pin M12 male fixed connector	No	559 616	
					UL-Recognized	559 626	
	C=1.0	PVC	5-pin M12 male fixed connector	No	559 610		
				UL-Recognized	559 638		
	PVDF	5-pin M12 male fixed connector	No	559 612			
			UL-Recognized	559 622			
	12-36 V DC	2 x transistors + dual 4-20 mA for both temperature and conductivity	C=0.01	PVC	5-pin M12 male and 5-pin M12 female fixed connectors	No	559 619
				UL-Recognized		562 395	
			PVDF	5-pin M12 male and 5-pin M12 female fixed connectors	No	559 621	
					UL-Recognized	562 397	
C=0.1			PVC	5-pin M12 male and 5-pin M12 female fixed connectors	No	559 615	
					UL-Recognized	559 625	
PVDF			5-pin M12 male and 5-pin M12 female fixed connectors	No	559 617		
				UL-Recognized	559 627		
C=1.0	PVC	5-pin M12 male and 5-pin M12 female fixed connectors	No	559 611			
			UL-Recognized	559 639			
PVDF	5-pin M12 male and 5-pin M12 female fixed connectors	No	559 613				
		UL-Recognized	559 623				

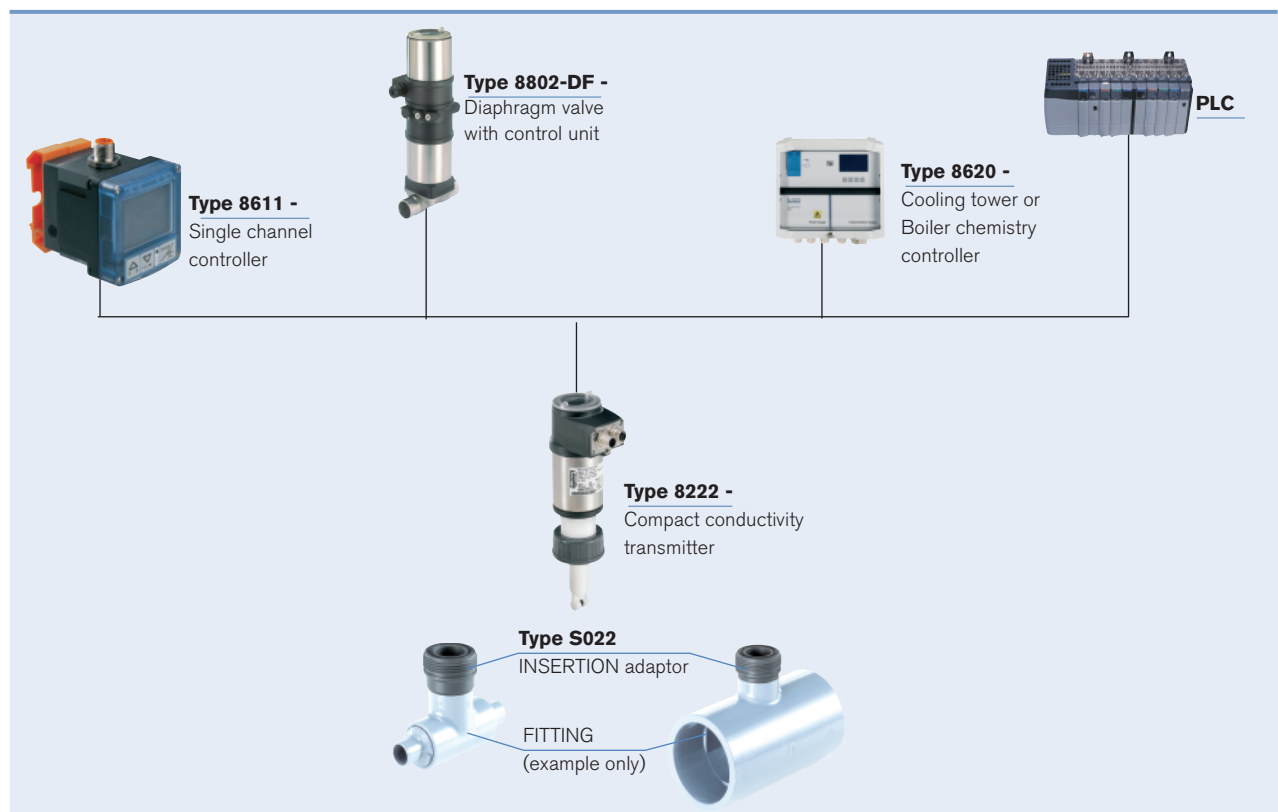
**Note: Order separately** (see accessories)

- display/programmer module
- M12 cable plugs (only female for single 4-20 mA, 1 male + 1 female for dual 4-20 mA transmitter)

Ordering chart for accessories

Description		Item no.
Removable display/programmer module (with instruction sheet)		559 168
Black blank cover with EPDM seal		560 948
Transparent cover with EPDM seal		561 843
Buffer solution, 500 ml, 5 µS		440 015
Buffer solution, 500 ml, 15 µS		440 016
Buffer solution, 500 ml, 100 µS		440 017
Buffer solution, 500 ml, 706 µS		440 018
Buffer solution, 500 ml, 1413 µS		440 019
	5 pin M12 female straight cable plug with plastic threaded locking ring, to be wired	917 116
	5 pin M12 male straight cable plug with plastic threaded locking ring, to be wired	560 946
	5 pin M12 female straight cable plug moulded on cable (2 m, shielded)	438 680
	5 pin M12 male straight cable plug moulded on cable (2 m, shielded)	559 177

Interconnection possibilities with other Bürkert devices



To find your nearest Bürkert facility, click on the orange box →

[www.burkert.com](http://www.burkert.com)

In case of special application conditions, please consult for advice.

Subject to alteration.  
© Christian Bürkert GmbH & Co. KG

1010/4\_EU-en\_00895068