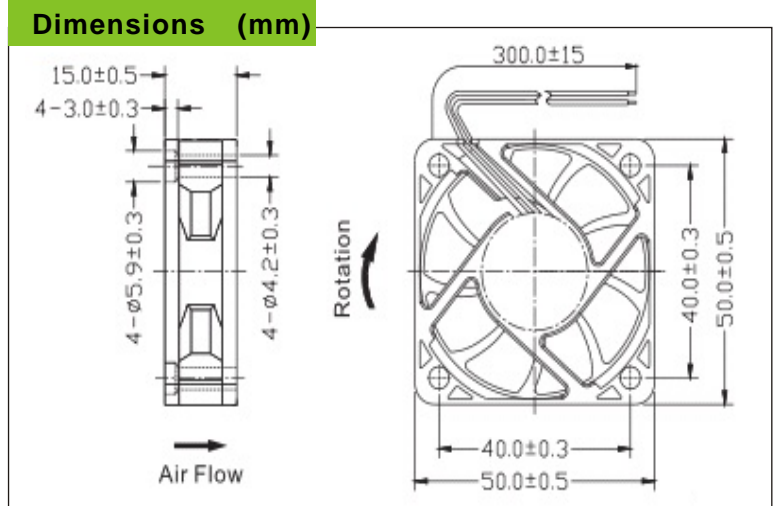


## STORM DC AXIAL FAN 50x50x15mm Series



### CONSTRUCTION

Glass fiber reinforced plastic:  
Impeller and housing PBT are UL 94V-0 rating

### OPERATING TEMPERATURE:

Ball bearing -30°C to +75°C  
Sleeve bearing -10°C to +70°C

### INSULATION RESISTANCE:

10meg Ohm min. at 500 VDC  
(between frame and terminal)

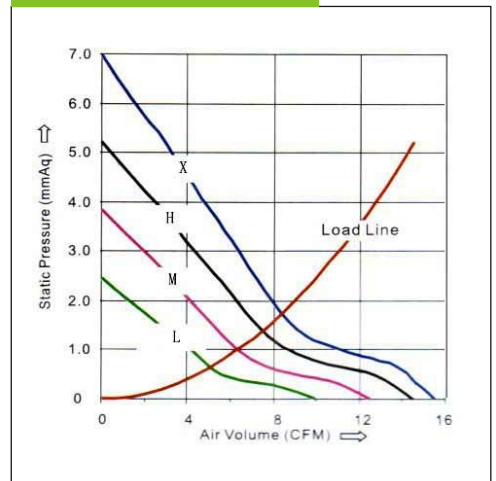
### DIELECTRIC STRENGTH:

5mA max. at 500 VAC 60Hz one minute  
(between frame and terminal)

### FUNCTION:

Auto-restart option  
Frequency generator or rotation detection signal option

### Performance Curve



Model	Spec	RATED (VDC)	RANGE (VDC)	CURRENT (Amp.)	POWER (Watts)	SPEED (Rpm)	AIR FLOW (Q)		PRESSURE(P)		NOISE (dBA)	Weight (g)
							(m3/min)	(CFM)	(mmAq)	(In H <sub>2</sub> O)		
SA5015HB-5G		05	04-06	0.292	1.46	6000	0.411	14.52	5.23	0.206	36.68	29.8g
SA5015MB-5G				0.204	1.02	5000	0.353	12.46	3.85	0.151	31.52	
SA5015 LB-5G				0.120	0.60	4000	0.280	9.90	2.45	0.097	26.22	
SA5015XB-1G		12	07-14	0.172	2.07	6500	0.438	15.46	6.96	0.274	38.82	29.8g
SA5015MB-1G				0.083	1.10	5000	0.353	12.46	3.85	0.151	31.52	
SA5015 LB-1G				0.062	0.74	4000	0.280	9.90	2.45	0.097	26.22	
SA5015 XB-2G		24	15-27	0.092	2.20	6500	0.438	15.46	6.96	0.274	38.82	29.8g
SA5015MB-2G				0.068	1.64	5000	0.353	12.46	3.85	0.151	31.52	